

- NOTES:
1. ALL DIMENSIONS SHOWN IN TABLE ARE IN INCHES, UNLESS OTHERWISE NOTED & ARE ± 1 INCH (25MM).
  2. ALL ITEMS SHOWN IN PHANTOM LINE ARE TO BE PROVIDED BY OTHERS.
  3. ALL DIMENSIONS ARE SUBJECT TO CHANGE WITHOUT ANY NOTICE.
  4. INSTALL UNIONS FITTINGS ON INLET & OUTLET PLUMBING CONNECTIONS.
  5. PROVIDE A 2 FEET MINIMUM CLEARANCE ABOVE MINERAL TANK FOR FILLING MEDIA.
  6. FOR INSTALLATIONS USING METAL PLUMBING, CONNECT A METAL BONDING STRAP TO INLET & OUTLET METAL PLUMBING TO MAINTAIN ELECTRICAL CONTINUITY.
  7. PROVIDED SYSTEM SHALL NOT BE SUBJECT TO ANY VACUUM. IF RISK OF VACUUM IS PRESENT, INSTALL VACUUM RELIEF VALVE WATTS ORDERING CODE # 0556031 ON INLET LINE.
  8. THE FULL WEIGHT OF THE PIPING AND VALVES MUST BE SUPPORTED BY PIPE HANGERS OR OTHER MEANS.
  9. INLET AND OUTLET HEADERS NEED TO BE SIZED ACCORDING TO FLOW RATE REQUIREMENTS BY OTHERS.
  10. LIMIT INLET PRESSURE TO NOT EXCEED MAXIMUM PUBLISHED OPERATING PRESSURE.

MODELS OF 817-8H, OF 817-12H, OF 1019-20H ONEFLOW ANTI-SCALE SYSTEM FOR HOT WATER DIMENSION (INCHES) & SPECIFICATIONS

MODEL NO.	ORDERING CODE (EDP NO.)	MINERAL TANK SIZE	INLET	OUTLET	OVERALL HEIGHT (SEE NOTE 5)	OVERALL DEPTH	OVERALL WIDTH	MINIMUM INLET PIPE DISTANCE	SYSTEM INLET/OUTLET PIPE SIZE CONN. (NPT)	PEAK SERVICE FLOW GPM	MIN/MAX OPERATING TEMP F°	MIN/MAX OPERATING PRESSURE (PSI)	ESTIMATED OPERATING WEIGHT (LBS)	ESTIMATED SHIPPING WEIGHT (LBS)
OF817-8H	0002128	8 X 17	18.63	18.63	20.0	11.0	8.50	5.0	1.0	8.0	100/140	15/100	49.50	18.70
OF817-12H	0002133	8 X 17	18.63	18.63	20.0	11.0	8.50	5.0	1.0	12.0	100/140	15/100	53.75	21.50
OF1019-20H	0002138	10 X 19	20.63	20.63	22.0	13.0	10.50	7.0	1.0	20.0	100/140	15/100	88.0	35.20

**WATTS**  
815 CHESTNUT ST.  
NORTH ANDOVER, MA 01845

THIS DRAWING IS CONFIDENTIAL AND OTHER DATA OF A PROPRIETARY NATURE OWNED BY WATTS TECHNOLOGIES, INC. AND MAY NOT BE USED OR REPRODUCED TO OTHERS WITHOUT THE PRIOR WRITTEN CONSENT OF WATTS TECHNOLOGIES, INC.

DWG BY: JR  
CHKD BY: RL  
DATE: 5/25/2021  
SCALE: NTS  
SHEET: 1 OF 1

SUPERSEDES: SEE TABLE

LIMITS UNLESS SPECIFIED  
FRACTIONAL ANGULAR  
1/16" 15°  
1/8" 30°  
1/4" 45°  
1/2" 60°  
3/4" 75°  
COMMON ANGLES  
1/16" 30°  
1/8" 45°  
1/4" 60°  
1/2" 75°  
3/4" 90°  
1" 105°  
1 1/2" 120°  
2" 135°  
3" 150°  
4" 165°  
DO NOT SCALE DRAWING

TITLE: GENERAL INSTALLATION, MODELS OF 817-8H, OF 817-12H, OF 1019-20H ONEFLOW ANTI-SCALE SYSTEM FOR HOT WATER

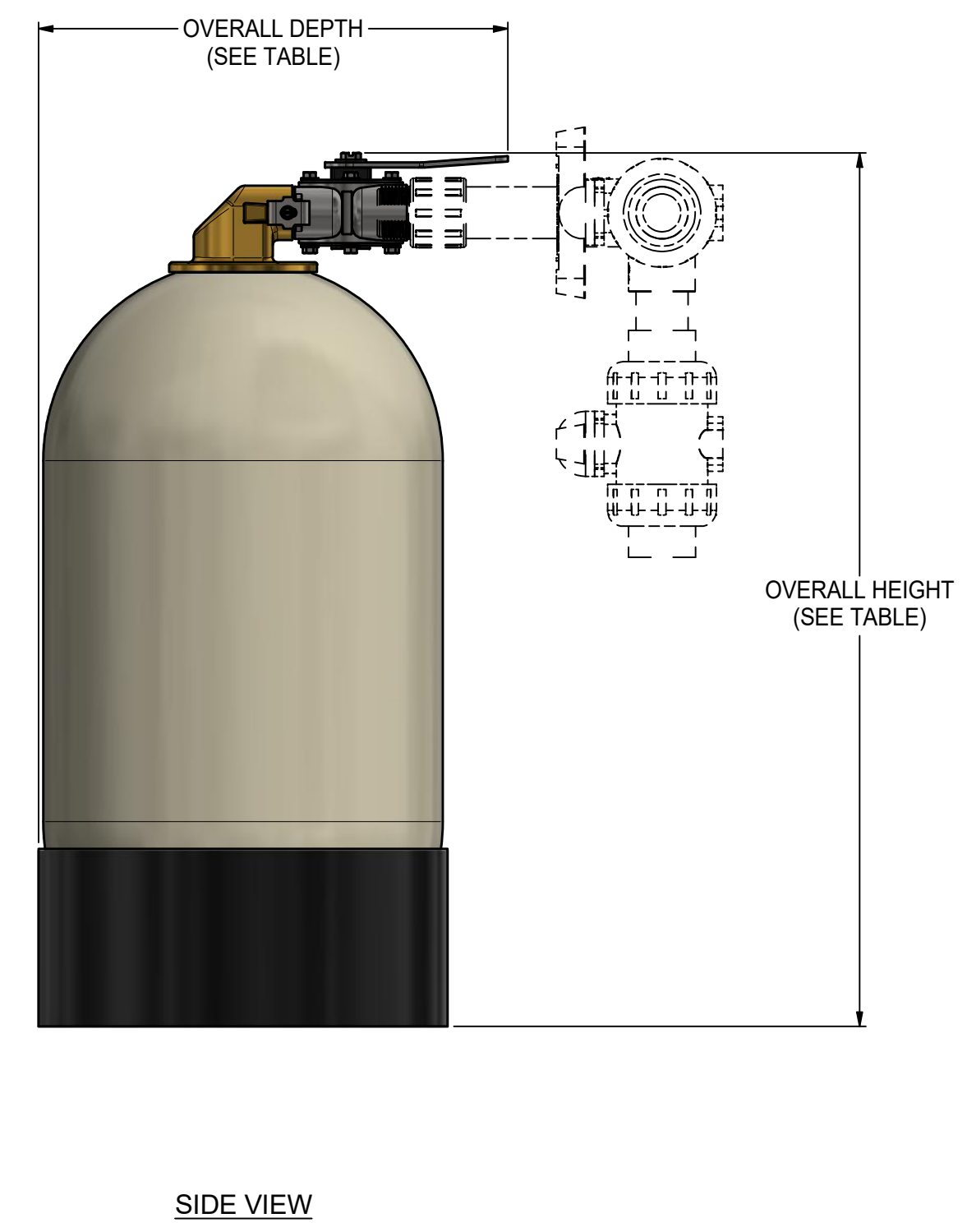
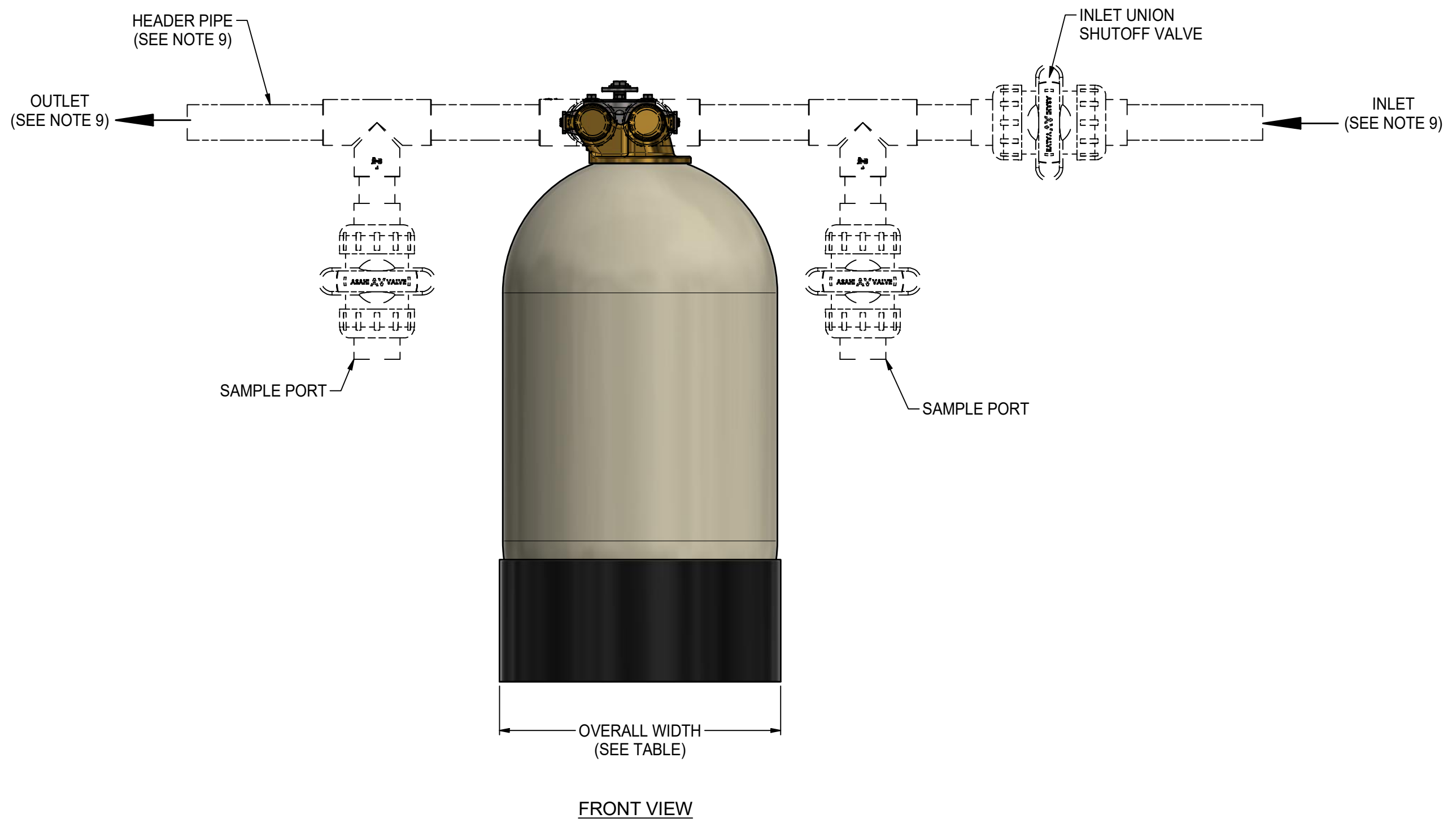
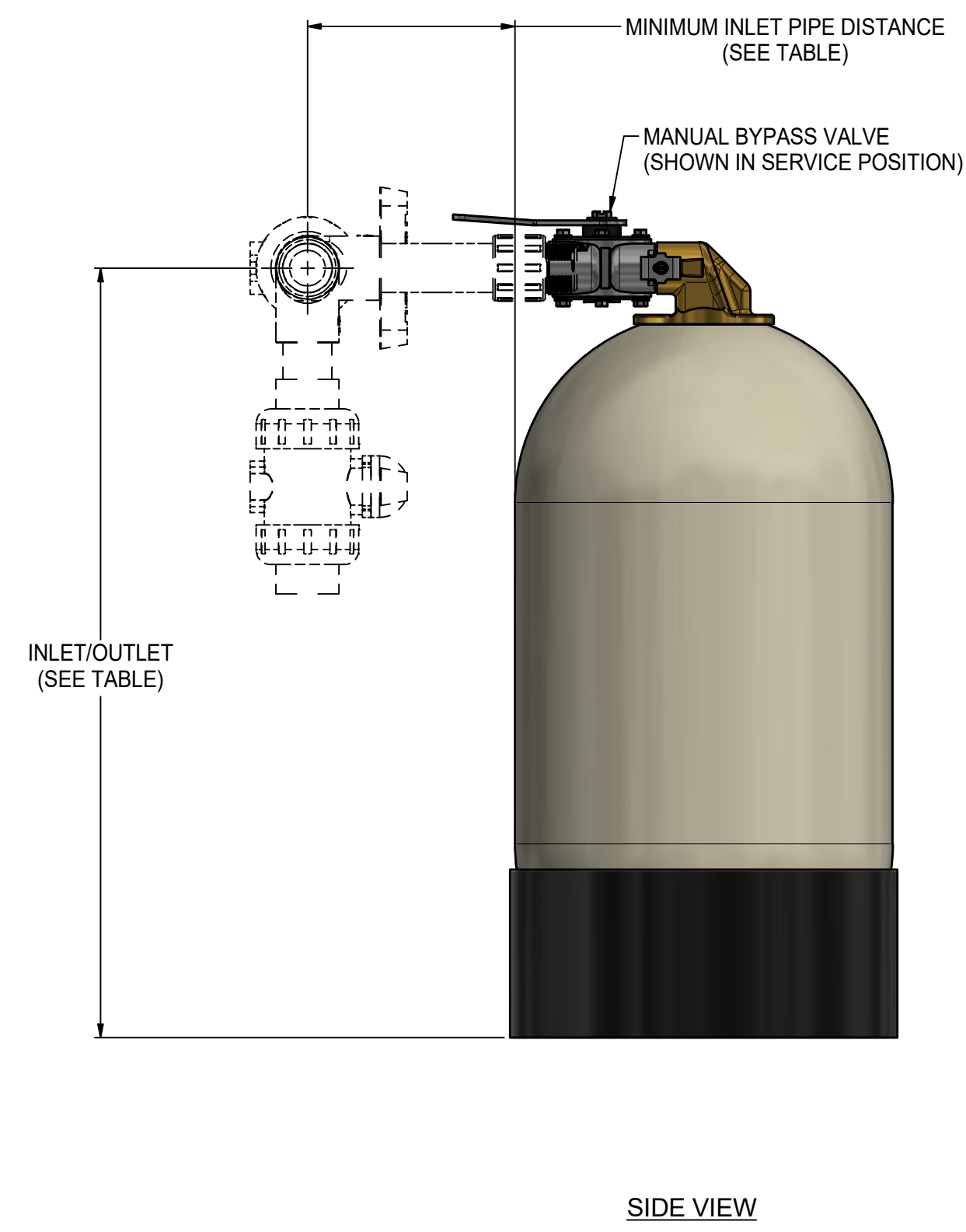
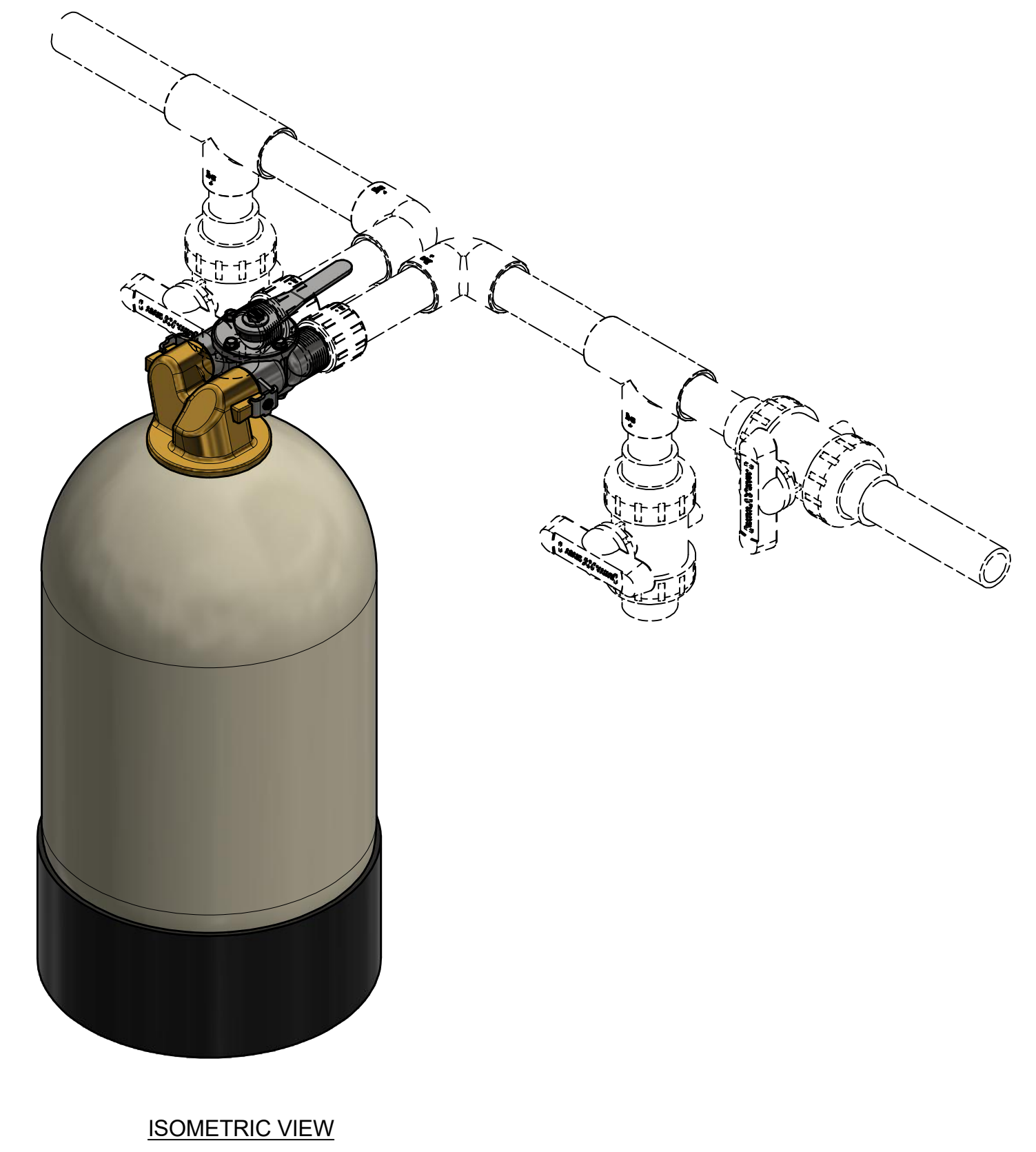
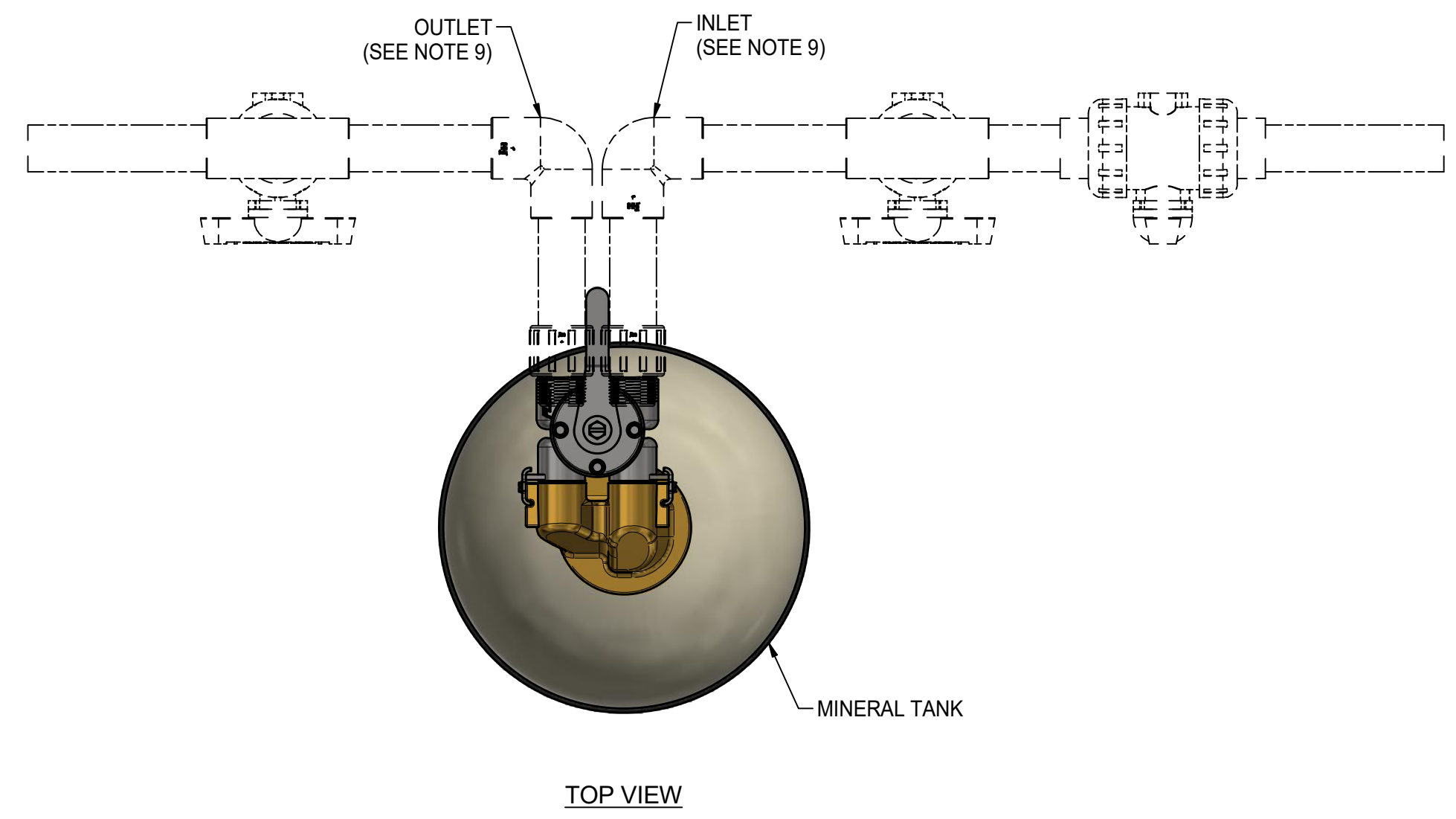
PART NO.: SEE TABLE

MATERIAL: N/A

OTHER: ESTIMATED WEIGHT: SEE TABLE

EDP NO.: SEE TABLE  
FILE TYPE: CAD

SIZE: D  
REV: 1



CLIENT PROJECT SIGN-OFF

JOB NAME: \_\_\_\_\_

JOB LOCATION: \_\_\_\_\_

CONTRACTOR: \_\_\_\_\_

CONTRACTOR APPROVAL: \_\_\_\_\_

CONTRACTOR APPROVAL DATE: \_\_\_\_\_

CONTRACTOR PO NO: \_\_\_\_\_

ENGINEER: \_\_\_\_\_

ENGINEER APPROVAL: \_\_\_\_\_

ENGINEER APPROVAL DATE: \_\_\_\_\_