

Job Name \_\_\_\_\_ Contractor \_\_\_\_\_  
 Job Location \_\_\_\_\_ Approval \_\_\_\_\_  
 Engineer \_\_\_\_\_ Contractor's P.O. No. \_\_\_\_\_  
 Approval \_\_\_\_\_ Representative \_\_\_\_\_

# HydroGuard® XP Series

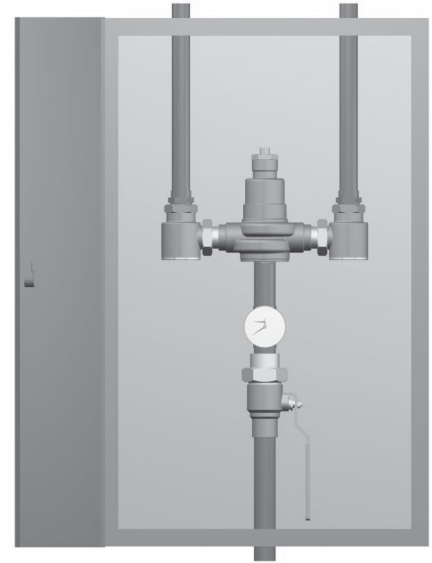
## Emergency Tempering

## Valves Supply Fixtures

### Top Inlets/Bottom Outlet Recessed Cabinet

#### Features

- Powers' Advanced Thermal Actuator provides precise temperature control
  - Exclusive internal cold water bypass ensures cold water flow in the event of loss of hot water
  - Flow effectively shuts down upon loss of cold water supply when tested under the condition specified in ASSE 1071 standard
  - Vandal-resistant locking mechanism to secure temperature setting
  - Factory tested
  - Rotatable union triple-duty checkstops
  - Rough bronze and chrome finishes
- Patent Pending



#### Specifications

Connections	See on the back
Maximum Operating Pressure	125 psi (861 kPa)
Maximum Hot Water Temperature	180°F (82°C)
Temperature Adjustment Range	60 – 95°F (15 – 35°C)
Factory Set Temperature*	85°F (29°C)
Bypass Flow Rate at 30 psid*	
ETV200	30 gpm (114 lpm)
ETV400	50 gpm (189 lpm)
ETV500	81 gpm (307 lpm)
Maximum flow with cold water shutoff*	0.5 gpm (1.9 lpm)
Listing	ASSE 1071 and IAPMO UPC



Advanced Thermal Activation

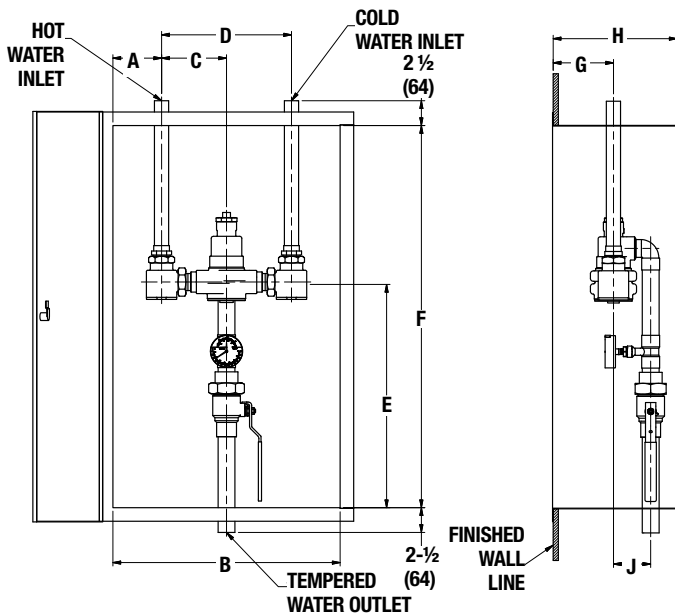
\*When tested under conditions specified in ASSE 1071 Standard

#### Capacity

Flow Capacity at 85°F (29.4°C)									
Model	Min. Flow to ASSE 1071	C <sub>v</sub>	Pressure Drop Across Valve						
			5 psi (34 kPa)	10 psi (69 kPa)	15 psi (103 kPa)	20 psi (138 kPa)	30 psi (207 kPa)	45 psi (310 kPa)	60 psi (414 kPa)
ETV200	3.0 gpm	6	13.4 gpm	19.0 gpm	23.2 gpm	26.8 gpm	32.9 gpm	40.2 gpm	46.5 gpm
	11.4 lpm		50.7 lpm	71.9 lpm	87.8 lpm	101.4 lpm	124.5 lpm	152.2 lpm	176.0 lpm
ETV400	3.0 gpm	15.2	34.0 gpm	48.1 gpm	58.9 gpm	68.0 gpm	83.2 gpm	102.0 gpm	118.0 gpm
	11.4 lpm		128.7 lpm	182.0 lpm	223.0 lpm	257.4 lpm	315.0 lpm	386.1 lpm	446.7 lpm
ETV500	3.0 gpm	21.8	48.7 gpm	68.9 gpm	84.4 gpm	97.5 gpm	119.4 gpm	146.2 gpm	168.9 gpm
	11.4 lpm		184.3 lpm	260.8 lpm	319.5 lpm	369.1 lpm	452.0 lpm	553.4 lpm	639.4 lpm

Powers product specifications in U.S. customary units and metric are approximate and are provided for reference only. For precise measurements, please contact Powers Technical Service. Powers reserves the right to change or modify product design, construction, specifications, or materials without prior notice and without incurring any obligation to make such changes and modifications on Powers products previously or subsequently sold.

## Dimensions



Valve	A	B	C	D	E	F	G	H	J
ETV200	4-7/8 (125)	19 (483)	4-5/8 (116)	9-1/8 (233)	14-1/4 (363)	30 (762)	4-1/2 (115)	9 (229)	2-3/4 (70)
ETV400	4-3/4 (120)	22 (559)	6-1/4 (160)	12-5/8 (320)	21-7/8 (555)	37 (940)	5-7/8 (148)	12 (305)	3-3/4 (95)
ETV500	5-1/8 (132)	26 (660)	7-7/8 (199)	15-5/8 (397)	24-3/8 (618)	44 (1118)	6 (152)	13 (329)	4-1/4 (108)

Valve	Inlets	Outlet
ETV200	3/4" (20)	1" (25)
ETV400	1-1/4" (32)	1-1/2" (40)
ETV500	2" (50)	2" (50)

Note:  
Dimensions are shown ±1/2"  
Dimensions in parentheses  
are in mm

## Ordering Information

Valve	Order Code										
32.9 gpm (124.5 lpm) @ 30 psi (207 kPa)	ETV200										
83.2 gpm (315.0 lpm) @ 30 psi (207 kPa)	ETV400										
119.4 gpm (452.0 lpm) @ 30 psi (207 kPa)	ETV500										
<b>Finish</b>											
Rough Bronze	A										
Chrome Plated	B										
<b>Piping Inlets/Outlet</b>											
Top/Bottom	M										
<b>Cabinet Style</b>											
Stainless Steel, Recessed	N										
Painted, Recessed	R										
<b>Options</b>											
None	0										
T/P Gauge on Inlets	5										
<b>Alarm System</b>											
None	0										
AquaSentry2®	4										
<b>View Port</b>											
None	0										
Window	W										

## Recirculation Piping Diagram

Please see Piping Diagram Section of this catalog.

## Typical Specification

Cabinet Supply Fixture for supplying tepid water to emergency fixtures shall be factory assembled, tested and include a stainless steel or painted steel cabinet. Thermostatic mixing valve must have internal cold-water bypass system to ensure flow in the event of valve failure or loss of hot water supply. Supply fixture also includes copper piping, ball valve(s) and temperature/pressure gauge for diagnostics. The valve shall be listed to ASSE 1071 and IAPMO UPC, provide precise temperature control over a wide range of flow conditions, and effectively shut down on loss of cold water. The valve shall feature paraffin-based actuation technology and checkstops to prevent cross flow. The valve shall be factory set to 85°F (29°C) with a lockable mean of securing the temperature.

The valve shall be Powers' model ETV200 \_\_\_\_\_, ETV400 \_\_\_\_\_ or ETV500 \_\_\_\_\_. All alternatives must have written approval prior to bidding.

# POWERS™

A WATTS Brand

USA: Tel: (800) 669-5430 • Fax: (847) 229-0526 • PowersControls.com  
 Canada: Tel: (905) 332-4090 • Fax: (905) 332-7068 • PowersControls.ca  
 Latin America: Tel: (52) 81-1001-8600 • PowersControls.com