

Gas & Water Connectors and Accessories

Connect with Confidence[®]





Connect with Confidence[®]

Your objectives—like optimal kitchen safety, operation, mobility, and cleanliness—are why we strive to ensure that you have the world's finest-made, code-compliant foodservice connecting systems and accessories.

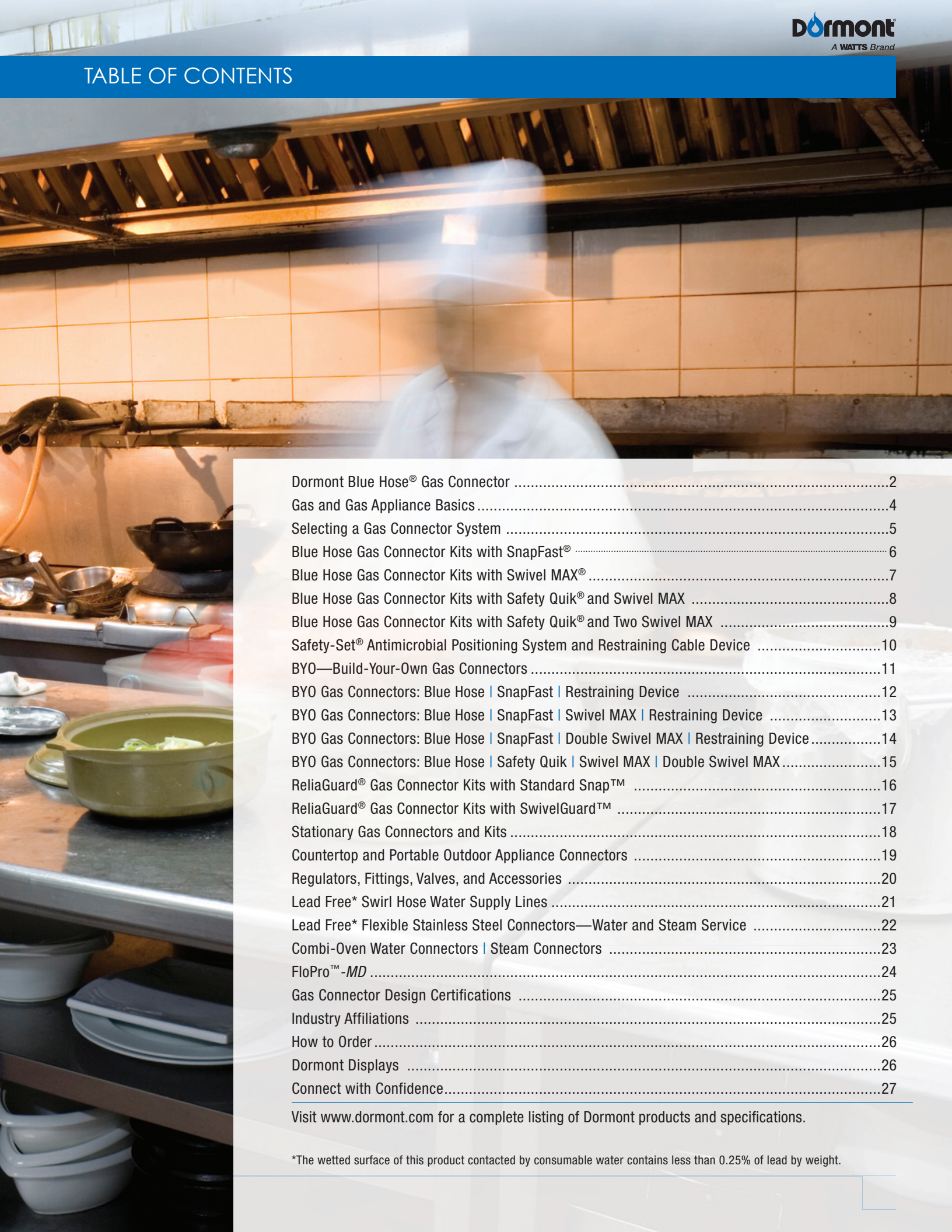
Since introducing the first moveable-grade gas appliance connector, Dormont[®] has built more than 160,000,000 gas connectors—in our expansive manufacturing facility near Pittsburgh—for commercial foodservice and residential applications worldwide.

Dormont has also developed additional innovative products related to gas connection while expanding into new areas of foodservice with products like water connectors and swirl hoses, pre-rinse assemblies and faucets, drains, and grease interceptors.

Assembled in America

Dormont's moveable foodservice connectors are assembled in the USA from both domestic and foreign parts and components.

TABLE OF CONTENTS



| | |
|---|----|
| Dormont Blue Hose® Gas Connector | 2 |
| Gas and Gas Appliance Basics | 4 |
| Selecting a Gas Connector System | 5 |
| Blue Hose Gas Connector Kits with SnapFast® | 6 |
| Blue Hose Gas Connector Kits with Swivel MAX® | 7 |
| Blue Hose Gas Connector Kits with Safety Quik® and Swivel MAX | 8 |
| Blue Hose Gas Connector Kits with Safety Quik® and Two Swivel MAX | 9 |
| Safety-Set® Antimicrobial Positioning System and Restraining Cable Device | 10 |
| BYO—Build-Your-Own Gas Connectors | 11 |
| BYO Gas Connectors: Blue Hose SnapFast Restraining Device | 12 |
| BYO Gas Connectors: Blue Hose SnapFast Swivel MAX Restraining Device | 13 |
| BYO Gas Connectors: Blue Hose SnapFast Double Swivel MAX Restraining Device | 14 |
| BYO Gas Connectors: Blue Hose Safety Quik Swivel MAX Double Swivel MAX | 15 |
| ReliaGuard® Gas Connector Kits with Standard Snap™ | 16 |
| ReliaGuard® Gas Connector Kits with SwivelGuard™ | 17 |
| Stationary Gas Connectors and Kits | 18 |
| Countertop and Portable Outdoor Appliance Connectors | 19 |
| Regulators, Fittings, Valves, and Accessories | 20 |
| Lead Free* Swirl Hose Water Supply Lines | 21 |
| Lead Free* Flexible Stainless Steel Connectors—Water and Steam Service | 22 |
| Combi-Oven Water Connectors Steam Connectors | 23 |
| FloPro™ -MD | 24 |
| Gas Connector Design Certifications | 25 |
| Industry Affiliations | 25 |
| How to Order | 26 |
| Dormont Displays | 26 |
| Connect with Confidence..... | 27 |

Visit www.dormont.com for a complete listing of Dormont products and specifications.

*The wetted surface of this product contacted by consumable water contains less than 0.25% of lead by weight.

Proven Connection Solutions for

Stress Guard® rotation technology reduces stress at connector ends and makes it easier to install the connector.

Antimicrobial PVC coating helps to prevent grease buildup, inhibiting the growth of bacteria, mold and mildew.



Stainless Steel Braid is tightly woven to prevent corrugations from stretching when gas equipment is moved.

Stainless Steel Construction features heavy-duty, flexible, corrugated stainless steel tubing that gives connectors superb bending properties and long life.

WHAT YOU GET FROM A BLUE HOSE® GAS CONNECTOR:

1. Safer work environment
2. Cleaner facilities
3. More floor and aisle space
4. Higher productivity
5. Smoother-operating kitchen



The concept of a complete gas equipment connection system for commercial kitchens is yet another innovation introduced by Dormont. The Blue Hose Gas Connector includes the renowned Blue Hose® gas connector and additional advanced accessories that improve safety, efficiency, and productivity. Bottom line? Dormont Gas Connectors give you peace of mind.

■ The **Blue Hose**

is the heart of the Dormont Gas Connector. It is the world's first gas connector specifically engineered for commercial cooking equipment that needs to be moved for cleaning and maintenance.



Fuel gas codes require an ANSI Z21.69/CSA 6.16 moveable gas connector with all appliances that may or may not utilize casters and, under normal use, are moved on a regular basis for service, positioning or area cleanliness.



Dormont Blue Hose commercial gas connectors are backed by a limited lifetime warranty. We guarantee them for the life of the original appliance to which they are connected.

Optimal Safety, Productivity, and Cleanliness

BLUE HOSE®



■ SnapFast®

is the only Push-to-Connect quick-disconnect (QD) fitting designed for commercial kitchens, making it easier and faster to service and move gas equipment for cleaning and maintenance. It includes a thermal shut-off for added safety.



■ Swivel MAX®

gives your Blue Hose 360° multi-plane movement for maximum equipment mobility. It decreases stress on the connector to create a safer gas connection to your caster-mounted appliances—and it increases aisle space by letting you move equipment closer to walls.



■ Safety Quik®

is a unique quick-disconnect protection valve that combines one-handed QD functionality with a patented safety feature that prevents kitchen staff from accidentally turning on the gas when an appliance is disconnected to the supply line. It also prevents the connector from being disconnected when gas is flowing. It includes an internal thermal shut-off for added safety.



■ Safety-Set®

is an innovative placement system often required by codes for caster-mounted kitchen equipment. It ensures appliances are returned to their precise location beneath fire suppression and ventilation systems after equipment has been moved for cleaning or maintenance.





Understanding Gas Pressure and Flow

Gas flow (BTU/hr) and gas line pressure (inch water column) should always be considered together to determine if a gas appliance will have enough gas pressure at its inlet to meet its BTU/hr rating. The illustration below of a commercial kitchen shows examples of areas where gas flow is affected and thus affects the BTU/hr flow to the gas appliance.

1 A main-line supply regulator **A** may be located in the kitchen or in a service area that supplies all the gas appliances in the kitchen. Most national and local plumbing codes stipulate that the regulator pressure is set between 6" wc to 8" wc for natural gas and 8"–11" wc for LP gas. Older metropolitan areas sometimes have service pressures that are lower than the recommended minimums. In the example used with the illustration below, 7" wc natural gas is used.

2 Some pressure loss due to friction will occur in the main gas line **B** before reaching the gas connector inlet. If the gas pipe diameter has been sized correctly, this pressure loss will be less than 0.5" wc at the gas appliance farthest from the supply regulator when all gas appliances are in operation.

3 The gas pressure at the inlet **C** to the gas connector will be less than the supply pressure from the main gas line **B** due to the pressure loss from friction, as mentioned previously. In our example of 7" wc at the supply regulator **A**, with approximately 0.5" wc pressure loss, pressure at inlet **C** would be 6.5" wc (7" wc – 0.5" wc).

4 In the charts on subsequent pages of this catalog, BTU flow capacities shown are measured at 0.5" wc or less pressure drop between the inlet **C** and outlet **D** at the maximum BTU/hr demand of the gas appliance. In our example of 6.5" wc inlet pressure, the outlet pressure to the gas appliance is 6" wc (6.5" wc – 0.5" wc).

In situations where upstream piping is undersized or where gas supply pressure is abnormally low, sizing the gas connector based on 0.5" wc of pressure loss helps to ensure that the gas appliance inlet pressure and its BTU/hr requirements are met.

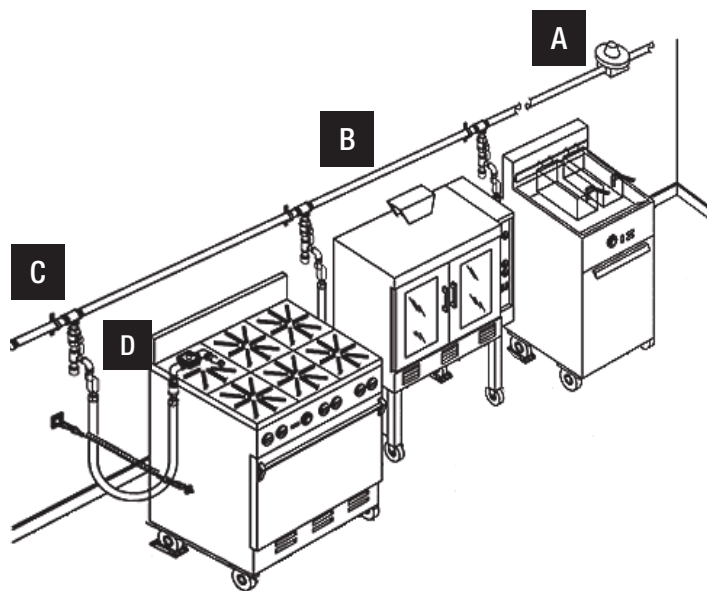
5 Most gas appliances require a minimum of 5" wc inlet pressure for proper operation. Inlet pressure requirements are typically listed on the gas appliance specifications label with the BTU/hr rating. In our example of a commercial kitchen with 7" wc natural gas pressure at the main supply regulator, the final pressure at the inlet to the gas appliance is 6" wc (7" wc – 0.5" wc – 0.5" wc).

BTU Flow Capacities

Dormont gas connectors are design-certified for a maximum operating pressure of 0.5 psig. Minimum required BTU capacities for gas connectors are defined by ANSI Z21.69/CSA 6.16. Flow capacities for gas connectors exclude manual shut-off valves.

Minimum Flow Capacity

(0.64 Sp. Gr., 1000 BTU/ft³ Natural Gas at 0.5" wc pressure drop)



⚠ WARNING

This literature is not intended to replace the available installation instructions or the experience of a trained product installer. Please refer to the installation manual for further information and product warnings.

SELECTING A GAS CONNECTOR SYSTEM

How to Select a Blue Hose® Gas Connector Gas Connector

1 Determine BTU/hr required for your gas equipment connection.

2 Identify and consider your connection requirements. Remember that most minimum code requirements specify a shutoff valve, compliant connector, and a restraining device. Every Dormont Gas Connector kit includes the code-compliant Blue Hose® gas connector, quick disconnect, shutoff valve, restraining cable, and necessary fittings.

Other factors to consider that may require additional acces-

sories include the location of the manifold relative to the appliance inlet, proximity of appliances to walls, frequency of cleaning behind gas equipment, and staff experience levels. Blue Hose Gas Connector kits and accessories are uniquely designed to address these and other factors.

Examples of how accessories can meet other needs:

- A Swivel MAX® fitting provides more connector flexibility in tight areas and less stress on the hose when moving the appliance.



- Positioning systems like Safety-Set® meet codes pertaining to fire suppression systems in kitchens.

- The enhanced safety features of the Safety Quik® protection valve are beneficial in kitchens where staff experience is low.

3 Specify the diameter of the gas connector and accessories—and the length you need. The diameter is typically the first set of numbers in your ordering code—and the length is typically the last two numbers. See chart below.

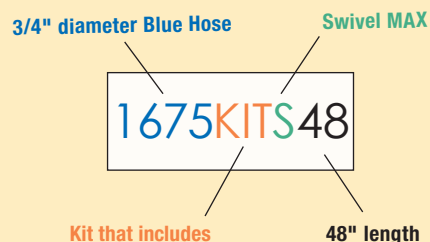
| PART NUMBER EXPLANATIONS | |
|--------------------------|--|
| 1650 | 1/2" dia. Blue Hose |
| 1675 | 3/4" dia. Blue Hose |
| 16100 | 1" dia. Blue Hose |
| 16125 | 1-1/4" dia. Blue Hose |
| KIT | Kits listed on pages 6-9 show components included. |
| CF | Safety Quik Quick-Disconnect Valve |
| B | Standard Snap™ Two-Handed Quick Disconnect |
| S | Swivel MAX |
| 2S | Double Swivel MAX |
| 24 | 24" Connector Length |
| 36 | 36" Length |
| 48 | 48" Length |
| 60 | 60" Length |
| 72 | 72" Length |
| PS | Placement System (Safety-Set) |

The **Part Number Explanations chart** at the left will help you understand the ordering code for Dormont gas connector systems and components.

Gas connectors are commonly ordered as kits, which Dormont engineers have configured over the years as solutions for typical or most common kitchen applications. On the following pages, you can identify the kit configuration you need to meet your gas flow, size and need requirements.

NOTE: Gas Connectors are not for use in temperatures lower than 32°F (0° C) and are for indoor use only.

This ordering code example – 1675KITS48 – is one of the most commonly ordered systems from Dormont. It refers to a Gas Connector kit that includes a 3/4" dia., 48" long Blue Hose, SnapFast disconnect, restraining device, elbows, full port valve, and Swivel MAX. To include Safety-Set, add PS to the end of the kit part number.



If you need assistance or additional information to help place your order, please do not hesitate to call Dormont Customer Service — 800-367-6668.

BLUE HOSE GAS CONNECTOR KITS




Dormont Blue Hose® Gas Connector Kits with SnapFast®

Dormont's Blue Hose® Gas Connector kits include all the components you need for a code-compliant gas installation that meets national and international moveable equipment standards.

Blue Hose Gas Connectors feature Stress-Guard® rotational fittings, stainless steel corrugated tubing, stainless steel braid, and an antimicrobial PVC coating. These features give the Blue Hose exceptional characteristics pertaining to safety, performance, durability, and cleanliness.

SnapFast®, Dormont's exclusive one-handed quick-disconnect, makes connecting and disconnecting moveable equipment safe and easy.

- Installs easily by attaching the SnapFast nipple to the appliance inlet, and the coupler end to the Blue Hose.
- Disconnects the gas flow when you pull back the operating ring of the SnapFast coupler with just one hand.
- Reconnects easily when you push the Snapfast coupler into the nipple end.
- Includes thermal shutoff design that automatically shuts off the gas when the internal temperature exceeds 350°F (177°C).



| BTU/hr* | Dia. | SnapFast | |
|---------|--------|----------|---|
| 125k | 1/2" | A50 | ✓ |
| 255k | 3/4" | A75 | ✓ |
| 440k | 1" | A100 | ✓ |
| 600k | 1-1/4" | A125 | ✓ |

In addition to selecting a Gas Connector kit, you can also purchase Blue Hose connectors or SnapFast fittings separately.

* Minimum Flow Capacity (0.64 Sp. Gr., 1000 BTU/ft3 Natural Gas at 0.5" wc pressure drop)

NOTES:

1. 3/4" x 48" kits are available for Quick Ship 24. See Page 23.
2. To include Safety-Set (See Page 10), add PS to the end of the kit part number.
3. SnapFast is not for use in temperatures lower than 32°F (0°C) and is for indoor use only.
4. Engineering Sheets with product specifications and technical information for Gas Connector Blue Hose connectors and accessories can be accessed on dormont.com



| BTU/hr† | ID | PART # | Blue Hose | Snap-Fast | Valve & Elbows | Restraining Device |
|--------------------------------------|--------|------------|-----------|-----------|----------------|--------------------|
| Blue Hose® Gas Connector Kits | | | | | | |
| 55k | 1/2" | 1650KIT72 | ✓ | ✓ | ✓ | ✓ |
| 60k | 1/2" | 1650KIT60 | ✓ | ✓ | ✓ | ✓ |
| 68k | 1/2" | 1650KIT48 | ✓ | ✓ | ✓ | ✓ |
| 77k | 1/2" | 1650KIT36 | ✓ | ✓ | ✓ | ✓ |
| 87k | 1/2" | 1650KIT24 | ✓ | ✓ | ✓ | ✓ |
| 139k | 3/4" | 1675KIT72 | ✓ | ✓ | ✓ | ✓ |
| 158k | 3/4" | 1675KIT60 | ✓ | ✓ | ✓ | ✓ |
| 180k | 3/4" | 1675KIT48 | ✓ | ✓ | ✓ | ✓ |
| 218k | 3/4" | 1675KIT36 | ✓ | ✓ | ✓ | ✓ |
| 232k | 3/4" | 1675KIT24 | ✓ | ✓ | ✓ | ✓ |
| 279k | 1" | 16100KIT72 | ✓ | ✓ | ✓ | ✓ |
| 294k | 1" | 16100KIT60 | ✓ | ✓ | ✓ | ✓ |
| 334k | 1" | 16100KIT48 | ✓ | ✓ | ✓ | ✓ |
| 379k | 1" | 16100KIT36 | ✓ | ✓ | ✓ | ✓ |
| 414k | 1" | 16100KIT24 | ✓ | ✓ | ✓ | ✓ |
| 419k | 1-1/4" | 16125KIT72 | ✓ | ✓ | ✓ | ✓ |
| 476k | 1-1/4" | 16125KIT60 | ✓ | ✓ | ✓ | ✓ |
| 541k | 1-1/4" | 16125KIT48 | ✓ | ✓ | ✓ | ✓ |
| 615k | 1-1/4" | 16125KIT36 | ✓ | ✓ | ✓ | ✓ |
| 699k | 1-1/4" | 16125KIT24 | ✓ | ✓ | ✓ | ✓ |

Dormont Blue Hose (Connector only)

| | | | | | | |
|-------|--------|-----------|---|--|--|--|
| 87k | 1/2" | 1650BP72 | ✓ | | | |
| 93k | 1/2" | 1650BP60 | ✓ | | | |
| 106k | 1/2" | 1650BP48 | ✓ | | | |
| 120k | 1/2" | 1650BP36 | ✓ | | | |
| 150k | 1/2" | 1650BP24 | ✓ | | | |
| 175k | 3/4" | 1675BP72 | ✓ | | | |
| 198k | 3/4" | 1675BP60 | ✓ | | | |
| 225k | 3/4" | 1675BP48 | ✓ | | | |
| 256k | 3/4" | 1675BP36 | ✓ | | | |
| 291k | 3/4" | 1675BP24 | ✓ | | | |
| 350k | 1" | 16100BP72 | ✓ | | | |
| 397k | 1" | 16100BP60 | ✓ | | | |
| 451k | 1" | 16100BP48 | ✓ | | | |
| 512k | 1" | 16100BP36 | ✓ | | | |
| 582k | 1" | 16100BP24 | ✓ | | | |
| 645k | 1-1/4" | 16125BP72 | ✓ | | | |
| 733k | 1-1/4" | 16125BP60 | ✓ | | | |
| 833k | 1-1/4" | 16125BP48 | ✓ | | | |
| 946k | 1-1/4" | 16125BP36 | ✓ | | | |
| 1075k | 1-1/4" | 16125BP24 | ✓ | | | |

† Minimum Flow Capacity (0.64 Sp. Gr., 1000 BTU/ft3 Natural Gas at 0.5" wc pressure drop)

BLUE HOSE GAS CONNECTOR KITS



Dormont Blue Hose Gas Connector Kits with Swivel MAX®

The Dormont Swivel MAX® is a 360° multi-plane rotational device that significantly increases range of motion of gas connectors and caster-mounted appliances.

- Provides full 360° range of motion.
- Reduces stress on gas connectors.
- Expands aisle space because gas equipment can be moved closer to walls.
- Can be used on one or both ends of gas connector.
- Replaces rigid street elbows in most installations.
- Can be purchased as part of kits or separately as add-on.



Blue Hose Gas Connector Kits with Swivel MAX

| BTU/hr† | ID | PART # | Blue Hose® | Snap-Fast® | Safety Quik® | Valve & Elbow | Full Port Valve | Restraining Device | Swivel MAX® | Swivel MAX (2) |
|---------|--------|-------------|------------|------------|--------------|---------------|-----------------|--------------------|-------------|----------------|
| 51k | 1/2" | 1650KITS72 | ✓ | ✓ | | ✓ | | ✓ | ✓ | |
| 56k | 1/2" | 1650KITS60 | ✓ | ✓ | | ✓ | | ✓ | ✓ | |
| 63k | 1/2" | 1650KITS48 | ✓ | ✓ | | ✓ | | ✓ | ✓ | |
| 72k | 1/2" | 1650KITS36 | ✓ | ✓ | | ✓ | | ✓ | ✓ | |
| 81k | 1/2" | 1650KITS24 | ✓ | ✓ | | ✓ | | ✓ | ✓ | |
| 130k | 3/4" | 1675KITS72 | ✓ | ✓ | | ✓ | | ✓ | ✓ | |
| 147k | 3/4" | 1675KITS60 | ✓ | ✓ | | ✓ | | ✓ | ✓ | |
| 167k | 3/4" | 1675KITS48 | ✓ | ✓ | | ✓ | | ✓ | ✓ | |
| 203k | 3/4" | 1675KITS36 | ✓ | ✓ | | ✓ | | ✓ | ✓ | |
| 216k | 3/4" | 1675KITS24 | ✓ | ✓ | | ✓ | | ✓ | ✓ | |
| 260k | 1" | 16100KITS72 | ✓ | ✓ | | ✓ | | ✓ | ✓ | |
| 274k | 1" | 16100KITS60 | ✓ | ✓ | | ✓ | | ✓ | ✓ | |
| 310k | 1" | 16100KITS48 | ✓ | ✓ | | ✓ | | ✓ | ✓ | |
| 353k | 1" | 16100KITS36 | ✓ | ✓ | | ✓ | | ✓ | ✓ | |
| 385k | 1" | 16100KITS24 | ✓ | ✓ | | ✓ | | ✓ | ✓ | |
| 460k | 1-1/4" | 16125KITS72 | ✓ | ✓ | | ✓ | | ✓ | ✓ | |
| 463k | 1-1/4" | 16125KITS60 | ✓ | ✓ | | ✓ | | ✓ | ✓ | |
| 482k | 1-1/4" | 16125KITS48 | ✓ | ✓ | | ✓ | | ✓ | ✓ | |
| 491k | 1-1/4" | 16125KITS36 | ✓ | ✓ | | ✓ | | ✓ | ✓ | |
| 535k | 1-1/4" | 16125KITS24 | ✓ | ✓ | | ✓ | | ✓ | ✓ | |

Blue Hose Gas Connector Kits with Two Swivel MAX

| | | | | | | | | | | |
|------|--------|--------------|---|---|--|--|---|---|--|---|
| 48k | 1/2" | 1650KIT2S72 | ✓ | ✓ | | | ✓ | ✓ | | ✓ |
| 54k | 1/2" | 1650KIT2S60 | ✓ | ✓ | | | ✓ | ✓ | | ✓ |
| 60k | 1/2" | 1650KIT2S48 | ✓ | ✓ | | | ✓ | ✓ | | ✓ |
| 69k | 1/2" | 1650KIT2S36 | ✓ | ✓ | | | ✓ | ✓ | | ✓ |
| 77k | 1/2" | 1650KIT2S24 | ✓ | ✓ | | | ✓ | ✓ | | ✓ |
| 124k | 3/4" | 1675KIT2S72 | ✓ | ✓ | | | ✓ | ✓ | | ✓ |
| 140k | 3/4" | 1675KIT2S60 | ✓ | ✓ | | | ✓ | ✓ | | ✓ |
| 160k | 3/4" | 1675KIT2S48 | ✓ | ✓ | | | ✓ | ✓ | | ✓ |
| 193k | 3/4" | 1675KIT2S36 | ✓ | ✓ | | | ✓ | ✓ | | ✓ |
| 205k | 3/4" | 1675KIT2S24 | ✓ | ✓ | | | ✓ | ✓ | | ✓ |
| 247k | 1" | 16100KIT2S72 | ✓ | ✓ | | | ✓ | ✓ | | ✓ |
| 261k | 1" | 16100KIT2S60 | ✓ | ✓ | | | ✓ | ✓ | | ✓ |
| 295k | 1" | 16100KIT2S48 | ✓ | ✓ | | | ✓ | ✓ | | ✓ |
| 336k | 1" | 16100KIT2S36 | ✓ | ✓ | | | ✓ | ✓ | | ✓ |
| 366k | 1" | 16100KIT2S24 | ✓ | ✓ | | | ✓ | ✓ | | ✓ |
| 440k | 1-1/4" | 16125KIT2S72 | ✓ | ✓ | | | ✓ | ✓ | | ✓ |
| 441k | 1-1/4" | 16125KIT2S60 | ✓ | ✓ | | | ✓ | ✓ | | ✓ |
| 449k | 1-1/4" | 16125KIT2S48 | ✓ | ✓ | | | ✓ | ✓ | | ✓ |
| 461k | 1-1/4" | 16125KIT2S36 | ✓ | ✓ | | | ✓ | ✓ | | ✓ |
| 472k | 1-1/4" | 16125KIT2S24 | ✓ | ✓ | | | ✓ | ✓ | | ✓ |

† Minimum Flow Capacity (0.64 Sp. Gr., 1000 BTU/ft3 Natural Gas at 0.5" wc pressure drop)

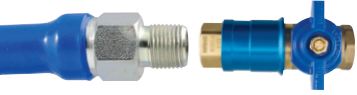
| BTU/hr* | Dia. | Swivel MAX® | |
|---------|--------|-------------|---|
| 216k | 1/2" | SM50 | ✓ |
| 276k | 3/4" | SM75 | ✓ |
| 490k | 1" | SM100 | ✓ |
| 912k | 1-1/4" | SM125 | ✓ |

* Minimum Flow Capacity (0.64 Sp. Gr., 1000 BTU/ft3 Natural Gas at 0.5" wc pressure drop)

NOTES:

1. 3/4" x 48" kits are available for Quick Ship 24. See Page 26.
2. To include Safety-Set (See Page 10), add PS to the end of the kit part number.
3. SnapFast and Swivel MAX are not for use in temperatures lower than 32°F (0°C) and are for indoor use only.
4. Engineering Sheets with products specifications and technical information for Gas Connector Blue Hose connectors and accessories can be accessed on dormont.com

BLUE HOSE GAS CONNECTOR KITS



Dormont Blue Hose Gas Connector Kits with Safety Quik®

Safety Quik® is a truly unique device that does the work of both a quick-disconnect and a valve to meet the safety and operational needs of commercial kitchen professionals. It represents the ultimate in kitchen safety.

- Prevents gas connector from being disconnected until its valve is shut off.
- Will not allow valve to be opened until the connector is re-connected to Safety Quik.
- Includes internal thermal shutoff that shuts off gas flow within temperature range of 250° F to 300° F.
- Can be purchased as part of kits or as an add-on.
- Is available as part of special Safety Quik and Swivel MAX® kits.



| BTU/hr† | Dia. | Safety Quik® | |
|---------|-------|--------------|---|
| 250k | 1/2"* | CF-50 | ✓ |
| 278k | 3/4" | CF-75 | ✓ |
| 502k | 1" | CF-100 | ✓ |

Safety Quik features a flat-face, push-to-connect design and brass body construction with a carbon steel safety sleeve. It incorporates a full port brass ball valve that is CSA-certified.

† Minimum Flow Capacity (0.64 Sp. Gr., 1000 BTU/ft³ Natural Gas at 0.6" wc pressure drop)

NOTES:

1. 3/4" x 48" kits are available for Quick Ship 24. (See Page 26)
2. To include Safety-Set (See Page 10), add PS to the end of the kit part number.
3. Safety Quik and Swivel MAX are not for use in temperatures lower than 32°F (0°C) and are for indoor use only.
4. Engineering Sheets with products specifications and technical information for Gas Connector Blue Hose connectors and accessories can be accessed on dormont.com
5. Safety Quik must always be installed at the gas supply end of the connector.



| BTU/hr† | ID | PART # | Blue Hose® | Snap-Fast® | Safety Quik® | Elbow | Elbows (2) | Restraining Device | Swivel MAX® | Swivel MAX (2) |
|---------|----|--------|------------|------------|--------------|-------|------------|--------------------|-------------|----------------|
|---------|----|--------|------------|------------|--------------|-------|------------|--------------------|-------------|----------------|

Blue Hose Gas Connectors with Safety Quik

| | | | | | | | | | | |
|------|------|--------------|---|--|---|--|---|---|--|--|
| 55k | 1/2" | 1650KITCF72 | ✓ | | ✓ | | ✓ | ✓ | | |
| 60k | 1/2" | 1650KITCF60 | ✓ | | ✓ | | ✓ | ✓ | | |
| 68k | 1/2" | 1650KITCF48 | ✓ | | ✓ | | ✓ | ✓ | | |
| 77k | 1/2" | 1650KITCF36 | ✓ | | ✓ | | ✓ | ✓ | | |
| 87k | 1/2" | 1650KITCF24 | ✓ | | ✓ | | ✓ | ✓ | | |
| 139k | 3/4" | 1675KITCF72 | ✓ | | ✓ | | ✓ | ✓ | | |
| 158k | 3/4" | 1675KITCF60 | ✓ | | ✓ | | ✓ | ✓ | | |
| 180k | 3/4" | 1675KITCF48 | ✓ | | ✓ | | ✓ | ✓ | | |
| 218k | 3/4" | 1675KITCF36 | ✓ | | ✓ | | ✓ | ✓ | | |
| 232k | 3/4" | 1675KITCF24 | ✓ | | ✓ | | ✓ | ✓ | | |
| 279k | 1" | 16100KITCF72 | ✓ | | ✓ | | ✓ | ✓ | | |
| 294k | 1" | 16100KITCF60 | ✓ | | ✓ | | ✓ | ✓ | | |
| 334k | 1" | 16100KITCF48 | ✓ | | ✓ | | ✓ | ✓ | | |
| 379k | 1" | 16100KITCF36 | ✓ | | ✓ | | ✓ | ✓ | | |
| 414k | 1" | 16100KITCF24 | ✓ | | ✓ | | ✓ | ✓ | | |

Blue Hose Gas Connector Kits with Safety Quik & Swivel MAX

| | | | | | | | | | | |
|------|------|---------------|---|--|---|---|--|---|---|--|
| 51k | 1/2" | 1650KITCFS72 | ✓ | | ✓ | ✓ | | ✓ | ✓ | |
| 56k | 1/2" | 1650KITCFS60 | ✓ | | ✓ | ✓ | | ✓ | ✓ | |
| 63k | 1/2" | 1650KITCFS48 | ✓ | | ✓ | ✓ | | ✓ | ✓ | |
| 72k | 1/2" | 1650KITCFS36 | ✓ | | ✓ | ✓ | | ✓ | ✓ | |
| 81k | 1/2" | 1650KITCFS24 | ✓ | | ✓ | ✓ | | ✓ | ✓ | |
| 130k | 3/4" | 1675KITCFS72 | ✓ | | ✓ | ✓ | | ✓ | ✓ | |
| 147k | 3/4" | 1675KITCFS60 | ✓ | | ✓ | ✓ | | ✓ | ✓ | |
| 167k | 3/4" | 1675KITCFS48 | ✓ | | ✓ | ✓ | | ✓ | ✓ | |
| 203k | 3/4" | 1675KITCFS36 | ✓ | | ✓ | ✓ | | ✓ | ✓ | |
| 216k | 3/4" | 1675KITCFS24 | ✓ | | ✓ | ✓ | | ✓ | ✓ | |
| 260k | 1" | 16100KITCFS72 | ✓ | | ✓ | ✓ | | ✓ | ✓ | |
| 274k | 1" | 16100KITCFS60 | ✓ | | ✓ | ✓ | | ✓ | ✓ | |
| 310k | 1" | 16100KITCFS48 | ✓ | | ✓ | ✓ | | ✓ | ✓ | |
| 353k | 1" | 16100KITCFS36 | ✓ | | ✓ | ✓ | | ✓ | ✓ | |
| 385k | 1" | 16100KITCFS24 | ✓ | | ✓ | ✓ | | ✓ | ✓ | |

† Minimum Flow Capacity (0.64 Sp. Gr., 1000 BTU/ft³ Natural Gas at 0.5" wc pressure drop)

BLUE HOSE GAS CONNECTOR KITS



| BTU/hr† | ID | PART # | Blue Hose® | Snap-Fast® | Safety Quik® | Elbow | Elbows (2) | Restraining Device | Swivel MAX | Swivel MAX (2) |
|---------|----|--------|------------|------------|--------------|-------|------------|--------------------|------------|----------------|
|---------|----|--------|------------|------------|--------------|-------|------------|--------------------|------------|----------------|

Blue Hose Gas Connector Kits with Safety Quik & Two Swivel MAX

| | | | | | | | | | | |
|------|------|----------------|---|--|---|--|--|---|--|---|
| 48k | 1/2" | 1650KITCF2S72 | √ | | √ | | | √ | | √ |
| 54k | 1/2" | 1650KITCF2S60 | √ | | √ | | | √ | | √ |
| 60k | 1/2" | 1650KITCF2S48 | √ | | √ | | | √ | | √ |
| 69k | 1/2" | 1650KITCF2S36 | √ | | √ | | | √ | | √ |
| 77k | 1/2" | 1650KITCF2S24 | √ | | √ | | | √ | | √ |
| 124k | 3/4" | 1675KITCF2S72 | √ | | √ | | | √ | | √ |
| 140k | 3/4" | 1675KITCF2S60 | √ | | √ | | | √ | | √ |
| 160k | 3/4" | 1675KITCF2S48 | √ | | √ | | | √ | | √ |
| 193k | 3/4" | 1675KITCF2S36 | √ | | √ | | | √ | | √ |
| 205k | 3/4" | 1675KITCF2S24 | √ | | √ | | | √ | | √ |
| 247k | 1" | 16100KITCF2S72 | √ | | √ | | | √ | | √ |
| 261k | 1" | 16100KITCF2S60 | √ | | √ | | | √ | | √ |
| 295k | 1" | 16100KITCF2S48 | √ | | √ | | | √ | | √ |
| 336k | 1" | 16100KITCF2S36 | √ | | √ | | | √ | | √ |
| 366k | 1" | 16100KITCF2S24 | √ | | √ | | | √ | | √ |

NOTES:

1. Safety Quik must always be installed at the gas supply end of the connector.
2. 3/4" x 48" kits are available for Quick Ship 24. (See Page 26)
3. To include Safety-Set (See Page 10), add PS to the end of the kit part number.
4. Safety Quik and Swivel MAX are not for use in temperatures lower than 32°F (0°C) and are for indoor use only.
5. Engineering Sheets with products specifications and technical information for Gas Connector Blue Hose connectors and accessories can be accessed on dormont.com

† Minimum Flow Capacity (0.64 Sp. Gr., 1000 BTU/ft3 Natural Gas at 0.5" wc pressure drop)



SAFETY-SET & RESTRAINING CABLE DEVICES



Safety-Set® Positioning System for Commercial Kitchen Equipment

Safety-Set® with Antimicrobial Additive is designed to return castor-mounted kitchen equipment to a specific location after every cleaning or maintenance. Often required for code compliance, positioning systems like Safety-Set ensure that gas equipment is situated beneath fire suppression or ventilation systems.

- Accommodates 4", 5" and 6" casters and withstands up to 1,000 lbs. of crush force.
- Ideal for new and existing applications.
- Antimicrobial additive inhibits the growth of harmful bacteria, mold and mildew.
- Can be used with all castor-mounted equipment, including cooking appliances, warming carts, salad bars, and refrigerators.

- Enhanced injection molded thermoplastic polyurethane (TPU) with an antimicrobial additive.
- Open-floor design allows appliance to rest level on the floor to ensure even cooking.
- Satisfies NFPA codes 17A (5.6.4) and 96 (12.1.2.3).
- Easy to install with thumb screw hardware pack (included).

| Safety Set | |
|-------------|---|
| Part Number | Description |
| PS | 2 Safety-Set units with 1 thumb screw hardware pack, instructions |

See ordering code example on page 11.

Coil Restraining Device

The ANSI Z21.69/CSA 6.16 Standard section 1.7.4 specifies that gas connectors used on castor-mounted foodservice equipment are to be installed with a restraining device to prevent transmission of the strain to the connector.



To order Safety-Set or Coil Restraining Device as part of a Gas Connector, see page 11.

Dormont Restraining Cable kits include everything you need to attach the cable securely to the equipment and the wall of your facility. When pulling out your gas appliance for cleaning or maintenance, shut off the gas supply, disconnect the gas connector, then disconnect the restraining cable. Please note that the cable is shorter than the gas connector to prevent strain on the Blue Hose®. The length number at the end of the part number reflects the hose it's made for, not the cable length.

| Coiled Restraining Cable Kits | |
|-------------------------------|--------------------------|
| Part Number | Description |
| RDC24 | For 12" & 24" Connectors |
| RDC36 | For 36" Connectors |
| RDC48 | For 48" Connectors |
| RDC60 | For 60" & 72" Connectors |

See ordering code example on page 11.



BYO – BUILD-YOUR-OWN GAS CONNECTOR

Designed to Your Specifications, Made to Dormont Standards

Although Dormont's numerous Blue Hose Gas Connector kits covered previously in this catalog address most commercial kitchen applications, there are times when a custom gas connection system is preferred.

Dormont makes it easy for you to build your own custom Gas Connector to meet specific or unique kitchen situations. The process for doing this is similar in many ways to the one outlined on Page 5 for selecting a particular kit to meet your requirements and needs.

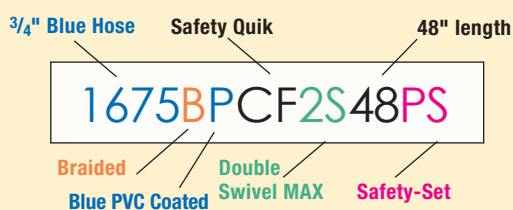
- 1 Determine BTU/hr required** for your gas equipment connection.
- 2 Identify your special connection needs or unique applications.**
- 3 Specify the diameter of the gas connector and accessories—and the connector length** you require.
- 4 Use the Part Number Explanations chart** to help "Build Your Own" Gas Connector.
- 5 Contact Dormont Customer Service—800-367-6668—** for further assistance if needed, or to order your system.



Build-Your-Own Systems typically include:

- Blue Hose gas connector
- SnapFast®, Safety Quik® and/or Swivel MAX® fittings
- Full port valve
- 2 street elbows
- Restraining device

Ordering code example for a Build-Your-Own system.



To help you build your own Gas Connectors, we've developed charts for a number of popular systems. These are included on the next four pages.

| PART NUMBER | EXPLANATIONS |
|-------------|--|
| 1650 | 1/2" dia. Blue Hose |
| 1675 | 3/4" dia. Blue Hose |
| 16100 | 1" dia. Blue Hose |
| 16125 | 1-1/4" dia. Blue Hose |
| B | Braided |
| P | Blue PVC Coated (with Antimicrobial Coating) |
| Q | Quick-Disconnect (SnapFast) |
| CF | Safety Quik Quick-Disconnect Valve |
| B | Standard Snap™ Two-Handed Quick Disconnect |
| S | Swivel MAX Rotational Fittings |
| 2S | Double Swivel MAX |
| R | Restraining Device & Hardware |
| 24 | 24" Connector Length |
| 36 | 36" Connector Length |
| 48 | 48" Connector Length |
| 60 | 60" Connector Length |
| 72 | 72" Connector Length |
| PS | Placement System (Safety-Set) |

NOTES:

1. Safety Quik (CF) is a combination quick-disconnect and valve fitting. A full port valve is not shipped with kits including Safety Quik.
2. For each Swivel MAX (S) selected, one elbow will be removed from the kit.
3. Moveable connectors and kits are located on pages 6–9. To order 12" connectors, contact Dormont Customer Service – 800-367-6668.

BYO – BUILD-YOUR-OWN GAS CONNECTOR

BYO – Using Blue Hose®, SnapFast®, Restraining Device

Build your own custom Gas Connector, using the Blue Hose® as your integral system component – and adding your desired specifications to it as well as the accessories you want to meet the specific needs of your application.

| PART NUMBER EXPLANATIONS | |
|--------------------------|--|
| 1650 | 1/2" dia. Blue Hose |
| 1675 | 3/4" dia. Blue Hose |
| 16100 | 1" dia. Blue Hose |
| 16125 | 1-1/4" dia. Blue Hose |
| B | Braided |
| P | PVC Coated (with Antimicrobial Coating) |
| Q | Quick-Disconnect (SnapFast) |
| CF | Safety Quik Quick-Disconnect Valve |
| B | Standard Snap™ Two-Handed Quick Disconnect |
| S | Swivel MAX Rotational Fitting |
| 2S | Double Swivel MAX |
| R | Restraining Device & Hardware |
| 24 | 24" Connector Length |
| 36 | 36" Connector Length |
| 48 | 48" Connector Length |
| 60 | 60" Connector Length |
| 72 | 72" Connector Length |
| PS | Placement System (Safety-Set) |

NOTES:

1. Safety Quik (CF) is a combination quick-disconnect and valve fitting, so a full port valve is not shipped with kits including Safety Quik.
2. For each Swivel MAX (S) selected, one elbow will be removed from the kit.
3. Moveable connectors and kits are located on pages 6–9. To order 12" connectors, contact Dormont Customer Service – 800-367-6668.
4. To include Safety-Set®, add PS to the end of the kit part number. (See Page 10)
5. SnapFast is not for use in temperatures lower than 32°F (0°C) and is for indoor use only.



| BTU/hr† | ID | PART # | Blue Hose® | Snap-Fast | Swivel MAX | Swivel MAX (2) | Safety Quik | Full-Port Valve | Elbows (2) | Elbow | Restraining Device | Safety-Set |
|---------|----|--------|------------|-----------|------------|----------------|-------------|-----------------|------------|-------|--------------------|------------|
|---------|----|--------|------------|-----------|------------|----------------|-------------|-----------------|------------|-------|--------------------|------------|

Blue Hose Gas Connectors with SnapFast

| | | | | | | | | | | | | |
|------|--------|------------|---|---|--|--|--|--|--|---|--|--|
| 55k | 1/2" | 1650BPQ72 | √ | √ | | | | | | √ | | |
| 60k | 1/2" | 1650BPQ60 | √ | √ | | | | | | √ | | |
| 68k | 1/2" | 1650BPQ48 | √ | √ | | | | | | √ | | |
| 77k | 1/2" | 1650BPQ36 | √ | √ | | | | | | √ | | |
| 87k | 1/2" | 1650BPQ24 | √ | √ | | | | | | √ | | |
| 139k | 3/4" | 1675BPQ72 | √ | √ | | | | | | √ | | |
| 158k | 3/4" | 1675BPQ60 | √ | √ | | | | | | √ | | |
| 180k | 3/4" | 1675BPQ48 | √ | √ | | | | | | √ | | |
| 218k | 3/4" | 1675BPQ36 | √ | √ | | | | | | √ | | |
| 232k | 3/4" | 1675BPQ24 | √ | √ | | | | | | √ | | |
| 279k | 1" | 16100BPQ72 | √ | √ | | | | | | √ | | |
| 294k | 1" | 16100BPQ60 | √ | √ | | | | | | √ | | |
| 334k | 1" | 16100BPQ48 | √ | √ | | | | | | √ | | |
| 379k | 1" | 16100BPQ36 | √ | √ | | | | | | √ | | |
| 414k | 1" | 16100BPQ24 | √ | √ | | | | | | √ | | |
| 419k | 1-1/4" | 16125BPQ72 | √ | √ | | | | | | √ | | |
| 476k | 1-1/4" | 16125BPQ60 | √ | √ | | | | | | √ | | |
| 541k | 1-1/4" | 16125BPQ48 | √ | √ | | | | | | √ | | |
| 615k | 1-1/4" | 16125BPQ36 | √ | √ | | | | | | √ | | |
| 699k | 1-1/4" | 16125BPQ24 | √ | √ | | | | | | √ | | |

Blue Hose Gas Connector with SnapFast & Restraining Device

| | | | | | | | | | | | | |
|------|--------|-------------|---|---|--|--|--|--|--|---|---|--|
| 55k | 1/2" | 1650BPQR72 | √ | √ | | | | | | √ | √ | |
| 60k | 1/2" | 1650BPQR60 | √ | √ | | | | | | √ | √ | |
| 68k | 1/2" | 1650BPQR48 | √ | √ | | | | | | √ | √ | |
| 77k | 1/2" | 1650BPQR36 | √ | √ | | | | | | √ | √ | |
| 87k | 1/2" | 1650BPQR24 | √ | √ | | | | | | √ | √ | |
| 139k | 3/4" | 1675BPQR72 | √ | √ | | | | | | √ | √ | |
| 158k | 3/4" | 1675BPQR60 | √ | √ | | | | | | √ | √ | |
| 180k | 3/4" | 1675BPQR48 | √ | √ | | | | | | √ | √ | |
| 218k | 3/4" | 1675BPQR36 | √ | √ | | | | | | √ | √ | |
| 232k | 3/4" | 1675BPQR24 | √ | √ | | | | | | √ | √ | |
| 279k | 1" | 16100BPQR72 | √ | √ | | | | | | √ | √ | |
| 294k | 1" | 16100BPQR60 | √ | √ | | | | | | √ | √ | |
| 334k | 1" | 16100BPQR48 | √ | √ | | | | | | √ | √ | |
| 379k | 1" | 16100BPQR36 | √ | √ | | | | | | √ | √ | |
| 414k | 1" | 16100BPQR24 | √ | √ | | | | | | √ | √ | |
| 419k | 1-1/4" | 16125BPQR72 | √ | √ | | | | | | √ | √ | |
| 476k | 1-1/4" | 16125BPQR60 | √ | √ | | | | | | √ | √ | |
| 541k | 1-1/4" | 16125BPQR48 | √ | √ | | | | | | √ | √ | |
| 615k | 1-1/4" | 16125BPQR36 | √ | √ | | | | | | √ | √ | |
| 699k | 1-1/4" | 16125BPQR24 | √ | √ | | | | | | √ | √ | |

† Minimum Flow Capacity (0.64 Sp. Gr., 1000 BTU/ft3 Natural Gas at 0.5" wc pressure drop)

BYO – BUILD-YOUR-OWN GAS CONNECTOR

BYO – Using BlueHose[®], Safety Quik[®], and Swivel MAX[®]



| BTU/hr† | ID | PART # | Blue Hose [®] | Snap-Fast | Swivel MAX | Swivel MAX (2) | Safety Quik | Full-Port Valve | Elbows (2) | Elbow | Restraining Device | Safety-Set |
|---------|----|--------|------------------------|-----------|------------|----------------|-------------|-----------------|------------|-------|--------------------|------------|
|---------|----|--------|------------------------|-----------|------------|----------------|-------------|-----------------|------------|-------|--------------------|------------|

Blue Hose Gas Connectors with SnapFast & Swivel MAX

| | | | | | | | | | | | | |
|------|--------|-------------|---|---|---|--|--|--|--|---|--|--|
| 51k | 1/2" | 1650BPQS72 | √ | √ | √ | | | | | √ | | |
| 56k | 1/2" | 1650BPQS60 | √ | √ | √ | | | | | √ | | |
| 63k | 1/2" | 1650BPQS48 | √ | √ | √ | | | | | √ | | |
| 72k | 1/2" | 1650BPQS36 | √ | √ | √ | | | | | √ | | |
| 81k | 1/2" | 1650BPQS24 | √ | √ | √ | | | | | √ | | |
| 130k | 3/4" | 1675BPQS72 | √ | √ | √ | | | | | √ | | |
| 147k | 3/4" | 1675BPQS60 | √ | √ | √ | | | | | √ | | |
| 167k | 3/4" | 1675BPQS48 | √ | √ | √ | | | | | √ | | |
| 203k | 3/4" | 1675BPQS36 | √ | √ | √ | | | | | √ | | |
| 216k | 3/4" | 1675BPQS24 | √ | √ | √ | | | | | √ | | |
| 260k | 1" | 16100BPQS72 | √ | √ | √ | | | | | √ | | |
| 274k | 1" | 16100BPQS60 | √ | √ | √ | | | | | √ | | |
| 310k | 1" | 16100BPQS48 | √ | √ | √ | | | | | √ | | |
| 353k | 1" | 16100BPQS36 | √ | √ | √ | | | | | √ | | |
| 385k | 1" | 16100BPQS24 | √ | √ | √ | | | | | √ | | |
| 460k | 1-1/4" | 16125BPQS72 | √ | √ | √ | | | | | √ | | |
| 463k | 1-1/4" | 16125BPQS60 | √ | √ | √ | | | | | √ | | |
| 482k | 1-1/4" | 16125BPQS48 | √ | √ | √ | | | | | √ | | |
| 491k | 1-1/4" | 16125BPQS36 | √ | √ | √ | | | | | √ | | |
| 535k | 1-1/4" | 16125BPQS24 | √ | √ | √ | | | | | √ | | |

Blue Hose Gas Connectors with SnapFast, Swivel MAX, & Restraining Device

| | | | | | | | | | | | | |
|------|--------|--------------|---|---|---|--|--|--|--|---|---|--|
| 51k | 1/2" | 1650BPQSR72 | √ | √ | √ | | | | | √ | √ | |
| 56k | 1/2" | 1650BPQSR60 | √ | √ | √ | | | | | √ | √ | |
| 63k | 1/2" | 1650BPQSR48 | √ | √ | √ | | | | | √ | √ | |
| 72k | 1/2" | 1650BPQSR36 | √ | √ | √ | | | | | √ | √ | |
| 81k | 1/2" | 1650BPQSR24 | √ | √ | √ | | | | | √ | √ | |
| 130k | 3/4" | 1675BPQSR72 | √ | √ | √ | | | | | √ | √ | |
| 147k | 3/4" | 1675BPQSR60 | √ | √ | √ | | | | | √ | √ | |
| 167k | 3/4" | 1675BPQSR48 | √ | √ | √ | | | | | √ | √ | |
| 203k | 3/4" | 1675BPQSR36 | √ | √ | √ | | | | | √ | √ | |
| 216k | 3/4" | 1675BPQSR24 | √ | √ | √ | | | | | √ | √ | |
| 260k | 1" | 16100BPQSR72 | √ | √ | √ | | | | | √ | √ | |
| 274k | 1" | 16100BPQSR60 | √ | √ | √ | | | | | √ | √ | |
| 310k | 1" | 16100BPQSR48 | √ | √ | √ | | | | | √ | √ | |
| 353k | 1" | 16100BPQSR36 | √ | √ | √ | | | | | √ | √ | |
| 385k | 1" | 16100BPQSR24 | √ | √ | √ | | | | | √ | √ | |
| 460k | 1-1/4" | 16125BPQSR72 | √ | √ | √ | | | | | √ | √ | |
| 463k | 1-1/4" | 16125BPQSR60 | √ | √ | √ | | | | | √ | √ | |
| 482k | 1-1/4" | 16125BPQSR48 | √ | √ | √ | | | | | √ | √ | |
| 491k | 1-1/4" | 16125BPQSR36 | √ | √ | √ | | | | | √ | √ | |
| 535k | 1-1/4" | 16125BPQSR24 | √ | √ | √ | | | | | √ | √ | |

NOTES:

1. To include Safety-Set[®], add PS to end of the part number. (See Page 10)
2. 3/4" and 48" models are available for Quick Ship 26.
3. SnapFast and Swivel MAX are not for use in temperatures lower than 32°F (0°C) and are for indoor use only.

† Minimum Flow Capacity (0.64 Sp. Gr., 1000 BTU/ft³ Natural Gas at 0.5" wc pressure drop)

BYO – BUILD-YOUR-OWN GAS CONNECTOR

BYO – Using Blue Hose®, SnapFast®, 2 Swivel MAX®, Restraining Device

Build your own custom Gas Connector, using the Blue Hose® as your integral system component—and adding your desired specifications to it as well as the accessories you want to meet the specific needs of your application.

| PART NUMBER EXPLANATIONS | |
|--------------------------|--|
| 1650 | 1/2" dia. Blue Hose |
| 1675 | 3/4" dia. Blue Hose |
| 16100 | 1" dia. Blue Hose |
| 16125 | 1-1/4" dia. Blue Hose |
| B | Braided |
| P | PVC Coated (with Antimicrobial Coating) |
| Q | Quick-Disconnect (SnapFast) |
| CF | Safety Quik Quick-Disconnect Valve |
| B | Standard Snap™ Two-Handed Quick Disconnect |
| S | Swivel MAX Rotational Fitting |
| 2S | Double Swivel MAX |
| R | Restraining Device & Hardware |
| 24 | 24" Connector Length |
| 36 | 36" Connector Length |
| 48 | 48" Connector Length |
| 60 | 60" Connector Length |
| 72 | 72" Connector Length |
| PS | Placement System (Safety-Set) |

NOTES:

- To include Safety-Set®, add PS to end of part number. (See Page 10)
- 3/4" and 48" models are available for Quick Ship 26.
- SnapFast and Swivel MAX are not for use in temperatures lower than 32°F (0°C) and are for indoor use only.

| BTU/hr† | ID | PART # | Blue Hose® | Snap-Fast | Swivel MAX | Swivel MAX (2) | Safety Quik | Full-Port Valve | Elbows (2) | Elbow | Restraining Device | Safety-Set |
|---------|----|--------|------------|-----------|------------|----------------|-------------|-----------------|------------|-------|--------------------|------------|
|---------|----|--------|------------|-----------|------------|----------------|-------------|-----------------|------------|-------|--------------------|------------|

Blue Hose Gas Connector with SnapFast & Double Swivel MAX

| | | | | | | | | | | | | |
|------|--------|--------------|---|---|--|---|--|--|--|--|--|--|
| 48k | 1/2" | 1650BPQ2S72 | √ | √ | | √ | | | | | | |
| 54k | 1/2" | 1650BPQ2S60 | √ | √ | | √ | | | | | | |
| 60k | 1/2" | 1650BPQ2S48 | √ | √ | | √ | | | | | | |
| 69k | 1/2" | 1650BPQ2S36 | √ | √ | | √ | | | | | | |
| 77k | 1/2" | 1650BPQ2S24 | √ | √ | | √ | | | | | | |
| 124k | 3/4" | 1675BPQ2S72 | √ | √ | | √ | | | | | | |
| 140k | 3/4" | 1675BPQ2S60 | √ | √ | | √ | | | | | | |
| 160k | 3/4" | 1675BPQ2S48 | √ | √ | | √ | | | | | | |
| 193k | 3/4" | 1675BPQ2S36 | √ | √ | | √ | | | | | | |
| 205k | 3/4" | 1675BPQ2S24 | √ | √ | | √ | | | | | | |
| 247k | 1" | 16100BPQ2S72 | √ | √ | | √ | | | | | | |
| 261k | 1" | 16100BPQ2S60 | √ | √ | | √ | | | | | | |
| 295k | 1" | 16100BPQ2S48 | √ | √ | | √ | | | | | | |
| 336k | 1" | 16100BPQ2S36 | √ | √ | | √ | | | | | | |
| 366k | 1" | 16100BPQ2S24 | √ | √ | | √ | | | | | | |
| 440k | 1-1/4" | 16125BPQ2S72 | √ | √ | | √ | | | | | | |
| 441k | 1-1/4" | 16125BPQ2S60 | √ | √ | | √ | | | | | | |
| 449k | 1-1/4" | 16125BPQ2S48 | √ | √ | | √ | | | | | | |
| 461k | 1-1/4" | 16125BPQ2S36 | √ | √ | | √ | | | | | | |
| 472k | 1-1/4" | 16125BPQ2S24 | √ | √ | | √ | | | | | | |

Blue Hose Gas Connector with SnapFast, Double Swivel MAX, & Restraining Device

| | | | | | | | | | | | | |
|------|--------|---------------|---|---|--|---|--|--|--|--|---|--|
| 48k | 1/2" | 1650BPQ2SR72 | √ | √ | | √ | | | | | √ | |
| 54k | 1/2" | 1650BPQ2SR60 | √ | √ | | √ | | | | | √ | |
| 60k | 1/2" | 1650BPQ2SR48 | √ | √ | | √ | | | | | √ | |
| 69k | 1/2" | 1650BPQ2SR36 | √ | √ | | √ | | | | | √ | |
| 77k | 1/2" | 1650BPQ2SR24 | √ | √ | | √ | | | | | √ | |
| 124k | 3/4" | 1675BPQ2SR72 | √ | √ | | √ | | | | | √ | |
| 140k | 3/4" | 1675BPQ2SR60 | √ | √ | | √ | | | | | √ | |
| 160k | 3/4" | 1675BPQ2SR48 | √ | √ | | √ | | | | | √ | |
| 193k | 3/4" | 1675BPQ2SR36 | √ | √ | | √ | | | | | √ | |
| 205k | 3/4" | 1675BPQ2SR24 | √ | √ | | √ | | | | | √ | |
| 247k | 1" | 16100BPQ2SR72 | √ | √ | | √ | | | | | √ | |
| 261k | 1" | 16100BPQ2SR60 | √ | √ | | √ | | | | | √ | |
| 295k | 1" | 16100BPQ2SR48 | √ | √ | | √ | | | | | √ | |
| 336k | 1" | 16100BPQ2SR36 | √ | √ | | √ | | | | | √ | |
| 366k | 1" | 16100BPQ2SR24 | √ | √ | | √ | | | | | √ | |
| 440k | 1-1/4" | 16125BPQ2SR72 | √ | √ | | √ | | | | | √ | |
| 441k | 1-1/4" | 16125BPQ2SR60 | √ | √ | | √ | | | | | √ | |
| 449k | 1-1/4" | 16125BPQ2SR48 | √ | √ | | √ | | | | | √ | |
| 461k | 1-1/4" | 16125BPQ2SR36 | √ | √ | | √ | | | | | √ | |
| 472k | 1-1/4" | 16125BPQ2SR24 | √ | √ | | √ | | | | | √ | |

† Minimum Flow Capacity (0.64 Sp. Gr., 1000 BTU/ft3 Natural Gas at 0.5" wc pressure drop)

BYO – BUILD-YOUR-OWN GAS CONNECTOR

BYO – Using
Blue Hose,
Safety Quik®, and
Swivel MAX®



Blue Hose Gas Connectors with Safety Quik

| BTU/hr† | ID | PART # | Blue Hose | Snap-Fast | Swivel MAX | Swivel MAX (2) | Safety Quik | Full-Port Valve | Elbows (2) | Elbow | Restraining Device | Safety-Set |
|---------|------|-------------|-----------|-----------|------------|----------------|-------------|-----------------|------------|-------|--------------------|------------|
| 55k | 1/2" | 1650BPCF72 | ✓ | | | | ✓ | | | ✓ | | |
| 60k | 1/2" | 1650BPCF60 | ✓ | | | | ✓ | | | ✓ | | |
| 68k | 1/2" | 1650BPCF48 | ✓ | | | | ✓ | | | ✓ | | |
| 77k | 1/2" | 1650BPCF36 | ✓ | | | | ✓ | | | ✓ | | |
| 87k | 1/2" | 1650BPCF24 | ✓ | | | | ✓ | | | ✓ | | |
| 139k | 3/4" | 1675BPCF72 | ✓ | | | | ✓ | | | ✓ | | |
| 158k | 3/4" | 1675BPCF60 | ✓ | | | | ✓ | | | ✓ | | |
| 180k | 3/4" | 1675BPCF48 | ✓ | | | | ✓ | | | ✓ | | |
| 218k | 3/4" | 1675BPCF36 | ✓ | | | | ✓ | | | ✓ | | |
| 232k | 3/4" | 1675BPCF24 | ✓ | | | | ✓ | | | ✓ | | |
| 279k | 1" | 16100BPCF72 | ✓ | | | | ✓ | | | ✓ | | |
| 294k | 1" | 16100BPCF60 | ✓ | | | | ✓ | | | ✓ | | |
| 334k | 1" | 16100BPCF48 | ✓ | | | | ✓ | | | ✓ | | |
| 379k | 1" | 16100BPCF36 | ✓ | | | | ✓ | | | ✓ | | |
| 414k | 1" | 16100BPCF24 | ✓ | | | | ✓ | | | ✓ | | |

Blue Hose Gas Connector with Safety Quik & Swivel MAX

| BTU/hr† | ID | PART # | Blue Hose | Snap-Fast | Swivel MAX | Swivel MAX (2) | Safety Quik | Full-Port Valve | Elbows (2) | Elbow | Restraining Device | Safety-Set |
|---------|------|--------------|-----------|-----------|------------|----------------|-------------|-----------------|------------|-------|--------------------|------------|
| 51k | 1/2" | 1650BPCFS72 | ✓ | | ✓ | | ✓ | | | ✓ | | |
| 56k | 1/2" | 1650BPCFS60 | ✓ | | ✓ | | ✓ | | | ✓ | | |
| 63k | 1/2" | 1650BPCFS48 | ✓ | | ✓ | | ✓ | | | ✓ | | |
| 72k | 1/2" | 1650BPCFS36 | ✓ | | ✓ | | ✓ | | | ✓ | | |
| 81k | 1/2" | 1650BPCFS24 | ✓ | | ✓ | | ✓ | | | ✓ | | |
| 130k | 3/4" | 1675BPCFS72 | ✓ | | ✓ | | ✓ | | | ✓ | | |
| 147k | 3/4" | 1675BPCFS60 | ✓ | | ✓ | | ✓ | | | ✓ | | |
| 167k | 3/4" | 1675BPCFS48 | ✓ | | ✓ | | ✓ | | | ✓ | | |
| 203k | 3/4" | 1675BPCFS36 | ✓ | | ✓ | | ✓ | | | ✓ | | |
| 216k | 3/4" | 1675BPCFS24 | ✓ | | ✓ | | ✓ | | | ✓ | | |
| 260k | 1" | 16100BPCFS72 | ✓ | | ✓ | | ✓ | | | ✓ | | |
| 274k | 1" | 16100BPCFS60 | ✓ | | ✓ | | ✓ | | | ✓ | | |
| 310k | 1" | 16100BPCFS48 | ✓ | | ✓ | | ✓ | | | ✓ | | |
| 353k | 1" | 16100BPCFS36 | ✓ | | ✓ | | ✓ | | | ✓ | | |
| 385k | 1" | 16100BPCFS24 | ✓ | | ✓ | | ✓ | | | ✓ | | |

Blue Hose Gas Connector with Safety Quik & Double Swivel MAX

| BTU/hr† | ID | PART # | Blue Hose | Snap-Fast | Swivel MAX | Swivel MAX (2) | Safety Quik | Full-Port Valve | Elbows (2) | Elbow | Restraining Device | Safety-Set |
|---------|------|---------------|-----------|-----------|------------|----------------|-------------|-----------------|------------|-------|--------------------|------------|
| 48k | 1/2" | 1650BPCF2S72 | ✓ | | | ✓ | ✓ | | | | | |
| 54k | 1/2" | 1650BPCF2S60 | ✓ | | | ✓ | ✓ | | | | | |
| 60k | 1/2" | 1650BPCF2S48 | ✓ | | | ✓ | ✓ | | | | | |
| 69k | 1/2" | 1650BPCF2S36 | ✓ | | | ✓ | ✓ | | | | | |
| 77k | 1/2" | 1650BPCF2S24 | ✓ | | | ✓ | ✓ | | | | | |
| 124k | 3/4" | 1675BPCF2S72 | ✓ | | | ✓ | ✓ | | | | | |
| 140k | 3/4" | 1675BPCF2S60 | ✓ | | | ✓ | ✓ | | | | | |
| 160k | 3/4" | 1675BPCF2S48 | ✓ | | | ✓ | ✓ | | | | | |
| 193k | 3/4" | 1675BPCF2S36 | ✓ | | | ✓ | ✓ | | | | | |
| 205k | 3/4" | 1675BPCF2S24 | ✓ | | | ✓ | ✓ | | | | | |
| 247k | 1" | 16100BPCF2S72 | ✓ | | | ✓ | ✓ | | | | | |
| 261k | 1" | 16100BPCF2S60 | ✓ | | | ✓ | ✓ | | | | | |
| 295k | 1" | 16100BPCF2S48 | ✓ | | | ✓ | ✓ | | | | | |
| 336k | 1" | 16100BPCF2S36 | ✓ | | | ✓ | ✓ | | | | | |
| 366k | 1" | 16100BPCF2S24 | ✓ | | | ✓ | ✓ | | | | | |

NOTES:

1. To include Safety-Set, add PS to end of part number. (See Page 10)
2. 3/4" and 48" models are available for Quick Ship 26.
3. Swivel MAX and Safety Quik are not for use in temperatures lower than 32°F (0°C) and are for indoor use only.

† Minimum Flow Capacity (0.64 Sp. Gr., 1000 BTU/ft³ Natural Gas at 0.5" wc pressure drop)

RELIAGUARD® GAS CONNECTOR KITS



Dormont ReliaGuard® Gas Connector Kits with Standard Snap™

Dormont's ReliaGuard® Gas Connector kits include all the components you need for a code-compliant gas installation that meets national and international moveable equipment standards.

ReliaGuard® Gas Connectors feature 360 degree rotational end fittings, stainless steel corrugated tubing, stainless steel braid, and a gray PVC coating. These features give the ReliaGuard® exceptional characteristics pertaining to safety, performance, durability, and cleanliness.

Standard Snap™, Dormont's two-handed quick-disconnect, makes connecting and disconnecting moveable equipment safe and easy.

- Installs easily by attaching the Standard Snap™ nipple to the appliance inlet, and the coupler end to the ReliaGuard®.
- Disconnects the gas flow when you pull back the operating ring of the Standard Snap coupler.
- Reconnects easily when you push the Standard Snap coupler into the nipple end.

| BTU/hr* | Dia. | Standard Snap | |
|---------|------|---------------|---|
| 125k | 1/2" | B50 | ✓ |
| 255k | 3/4" | B75 | ✓ |
| 440k | 1" | B100 | ✓ |

In addition to selecting a Gas Connector kit, you can also purchase ReliaGuard® connectors or Standard Snap fittings separately.

* Minimum Flow Capacity (0.64 Sp. Gr., 1000 BTU/ft3 Natural Gas at 0.5" wc pressure drop)

NOTES:

1. 3/4" x 48" kits are available for Quick Ship 24. See Page 26.
2. Standard Snap is not for use in temperatures lower than 32°F (0°C) and is for indoor use only.
3. Engineering Sheets with product specifications and technical information for Gas Connector ReliaGuard® connectors and accessories can be accessed on dormont.com



| BTU/hr† | ID | PART # | ReliaGuard | Standard Snap | Valve & Elbows | Restraining Device |
|---------|----|--------|------------|---------------|----------------|--------------------|
|---------|----|--------|------------|---------------|----------------|--------------------|

ReliaGuard® Gas Connector Kits

| | | | | | | |
|------|------|---------|---|---|---|---|
| 60k | 1/2" | RG5060 | ✓ | ✓ | ✓ | ✓ |
| 68k | 1/2" | RG5048 | ✓ | ✓ | ✓ | ✓ |
| 77k | 1/2" | RG5036 | ✓ | ✓ | ✓ | ✓ |
| 158k | 3/4" | RG7560 | ✓ | ✓ | ✓ | ✓ |
| 180k | 3/4" | RG7548 | ✓ | ✓ | ✓ | ✓ |
| 218k | 3/4" | RG7536 | ✓ | ✓ | ✓ | ✓ |
| 294k | 1" | RG10060 | ✓ | ✓ | ✓ | ✓ |
| 334k | 1" | RG10048 | ✓ | ✓ | ✓ | ✓ |
| 379k | 1" | RG10036 | ✓ | ✓ | ✓ | ✓ |

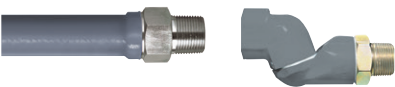


Dormont ReliaGuard® (Connector only)

| | | | | | | |
|------|------|-----------|---|--|--|--|
| 93k | 1/2" | RG50BP60 | ✓ | | | |
| 106k | 1/2" | RG50BP48 | ✓ | | | |
| 120k | 1/2" | RG50BP36 | ✓ | | | |
| 198k | 3/4" | RG75BP60 | ✓ | | | |
| 225k | 3/4" | RG75BP48 | ✓ | | | |
| 256k | 3/4" | RG75BP36 | ✓ | | | |
| 397k | 1" | RG100BP60 | ✓ | | | |
| 451k | 1" | RG100BP48 | ✓ | | | |
| 512k | 1" | RG100BP36 | ✓ | | | |

† Minimum Flow Capacity (0.64 Sp. Gr., 1000 BTU/ft3 Natural Gas at 0.5" wc pressure drop)

RELIAGUARD® GAS CONNECTOR KITS



Dormont ReliaGuard® Gas Connector Kits with SwivelGuard™

The Dormont SwivelGuard™

is a 360° multi-plane rotational device that significantly increases range of motion of gas connectors and caster-mounted appliances.

- Provides full 360° range of motion.
- Reduces stress on gas connectors.
- Expands aisle space because gas equipment can be moved closer to walls.
- Can be used on one or both ends of gas connector.
- Replaces rigid street elbows in most installations.
- Can be purchased as part of kits or separately as add-on.



| BTU/hr* | Dia. | SwivelGuard |
|---------|------|--------------|
| 216k | 1/2" | SM50-Gray ✓ |
| 276k | 3/4" | SM75-Gray ✓ |
| 490k | 1" | SM100-Gray ✓ |

* Minimum Flow Capacity (0.64 Sp. Gr., 1000 BTU/ft³ Natural Gas at 0.5" wc pressure drop)

NOTES:

1. 3/4" x 48" kits are available for Quick Ship 24. See Page 26.
2. Standard Snap and SwivelGuard™ are not for use in temperatures lower than 32°F (0°C) and are for indoor use only.
3. Engineering Sheets with products specifications and technical information for ReliaGuard® connectors and accessories can be accessed on dormont.com



| BTU/hr† | ID | PART # | ReliaGuard | Standard Snap | Valve & Elbow | Full Port Valve | Restraining Device | Swivel-Guard | Swivel-Guard(2) |
|---|------|----------|------------|---------------|---------------|-----------------|--------------------|--------------|-----------------|
| ReliaGuard® Gas Connector Kits with SwivelGuard™ | | | | | | | | | |
| 56k | 1/2" | RG50S60 | ✓ | ✓ | ✓ | | ✓ | ✓ | |
| 63k | 1/2" | RG50S48 | ✓ | ✓ | ✓ | | ✓ | ✓ | |
| 72k | 1/2" | RG50S36 | ✓ | ✓ | ✓ | | ✓ | ✓ | |
| 147k | 3/4" | RG75S60 | ✓ | ✓ | ✓ | | ✓ | ✓ | |
| 167k | 3/4" | RG75S48 | ✓ | ✓ | ✓ | | ✓ | ✓ | |
| 203k | 3/4" | RG75S36 | ✓ | ✓ | ✓ | | ✓ | ✓ | |
| 274k | 1" | RG100S60 | ✓ | ✓ | ✓ | | ✓ | ✓ | |
| 310k | 1" | RG100S48 | ✓ | ✓ | ✓ | | ✓ | ✓ | |
| 353k | 1" | RG100S36 | ✓ | ✓ | ✓ | | ✓ | ✓ | |



ReliaGuard® Gas Connector Kits with Two SwivelGuard

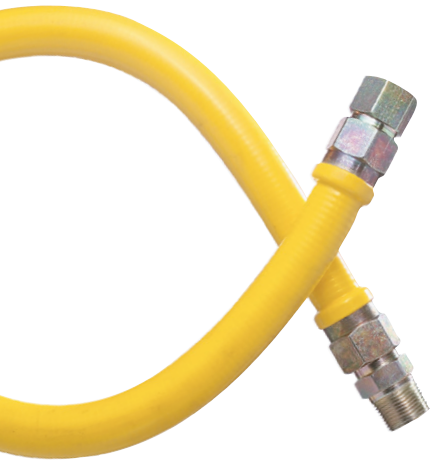
| | | | | | | | | | |
|------|------|-----------|---|---|--|---|---|--|---|
| 54k | 1/2" | RG502S60 | ✓ | ✓ | | ✓ | ✓ | | ✓ |
| 60k | 1/2" | RG502S48 | ✓ | ✓ | | ✓ | ✓ | | ✓ |
| 69k | 1/2" | RG502S36 | ✓ | ✓ | | ✓ | ✓ | | ✓ |
| 140k | 3/4" | RG752S60 | ✓ | ✓ | | ✓ | ✓ | | ✓ |
| 160k | 3/4" | RG752S48 | ✓ | ✓ | | ✓ | ✓ | | ✓ |
| 193k | 3/4" | RG752S36 | ✓ | ✓ | | ✓ | ✓ | | ✓ |
| 261k | 1" | RG1002S60 | ✓ | ✓ | | ✓ | ✓ | | ✓ |
| 295k | 1" | RG1002S48 | ✓ | ✓ | | ✓ | ✓ | | ✓ |
| 336k | 1" | RG1002S36 | ✓ | ✓ | | ✓ | ✓ | | ✓ |

† Minimum Flow Capacity (0.64 Sp. Gr., 1000 BTU/ft³ Natural Gas at 0.5" wc pressure drop)

STATIONARY GAS CONNECTORS AND KITS

Your Connection Solution for Stationary Appliances

Use Dormont's premium-quality stationary gas connectors for installing stationary commercial gas cooking equipment, such as fixed-leg and curb-mount appliances.



- Highly durable because of their flexible, stainless steel construction.
- Easy-to-clean antimicrobial PVC coating.
- Effective in supplying proper gas flow to equipment for optimal operating performance.
- Available in a broad range of sizes.

NOTE:
Stationary connectors are not approved for use on moveable/caster-mounted equipment.

| BTU/hr† | ID | PART # | Hose | Elbows | Full-Port Valve |
|--------------------------------------|--------|--------------|------|--------|-----------------|
| Stationary Gas Connector Kits | | | | | |
| 87k | 1/2" | 1650NPKIT72 | ✓ | ✓ | ✓ |
| 93k | 1/2" | 1650NPKIT60 | ✓ | ✓ | ✓ |
| 106k | 1/2" | 1650NPKIT48 | ✓ | ✓ | ✓ |
| 120k | 1/2" | 1650NPKIT36 | ✓ | ✓ | ✓ |
| 150k | 1/2" | 1650NPKIT24 | ✓ | ✓ | ✓ |
| 175k | 3/4" | 1675NPKIT72 | ✓ | ✓ | ✓ |
| 198k | 3/4" | 1675NPKIT60 | ✓ | ✓ | ✓ |
| 225k | 3/4" | 1675NPKIT48 | ✓ | ✓ | ✓ |
| 256k | 3/4" | 1675NPKIT36 | ✓ | ✓ | ✓ |
| 291k | 3/4" | 1675NPKIT24 | ✓ | ✓ | ✓ |
| 350k | 1" | 16100NPKIT72 | ✓ | ✓ | ✓ |
| 397k | 1" | 16100NPKIT60 | ✓ | ✓ | ✓ |
| 451k | 1" | 16100NPKIT48 | ✓ | ✓ | ✓ |
| 512k | 1" | 16100NPKIT36 | ✓ | ✓ | ✓ |
| 582k | 1" | 16100NPKIT24 | ✓ | ✓ | ✓ |
| 645k | 1-1/4" | 16125NPKIT72 | ✓ | ✓ | ✓ |
| 733k | 1-1/4" | 16125NPKIT60 | ✓ | ✓ | ✓ |
| 833k | 1-1/4" | 16125NPKIT48 | ✓ | ✓ | ✓ |
| 946k | 1-1/4" | 16125NPKIT36 | ✓ | ✓ | ✓ |
| 1075k | 1-1/4" | 16125NPKIT24 | ✓ | ✓ | ✓ |

| BTU/hr† | ID | PART # | Hose | Elbows (2) | Nipples (2) | Full-Port Valve |
|---|--------|----------------|------|------------|-------------|-----------------|
| Stationary Gas Connector Kits for Canada | | | | | | |
| 87k | 1/2" | CAN1650BPEV72 | ✓ | ✓ | ✓ | ✓ |
| 93k | 1/2" | CAN1650BPEV60 | ✓ | ✓ | ✓ | ✓ |
| 106k | 1/2" | CAN1650BPEV48 | ✓ | ✓ | ✓ | ✓ |
| 120k | 1/2" | CAN1650BPEV36 | ✓ | ✓ | ✓ | ✓ |
| 150k | 1/2" | CAN1650BPEV24 | ✓ | ✓ | ✓ | ✓ |
| 175k | 3/4" | CAN1675BPEV72 | ✓ | ✓ | ✓ | ✓ |
| 198k | 3/4" | CAN1675BPEV60 | ✓ | ✓ | ✓ | ✓ |
| 225k | 3/4" | CAN1675BPEV48 | ✓ | ✓ | ✓ | ✓ |
| 256k | 3/4" | CAN1675BPEV36 | ✓ | ✓ | ✓ | ✓ |
| 291k | 3/4" | CAN1675BPEV24 | ✓ | ✓ | ✓ | ✓ |
| 350k | 1" | CAN16100BPEV72 | ✓ | ✓ | ✓ | ✓ |
| 397k | 1" | CAN16100BPEV60 | ✓ | ✓ | ✓ | ✓ |
| 451k | 1" | CAN16100BPEV48 | ✓ | ✓ | ✓ | ✓ |
| 512k | 1" | CAN16100BPEV36 | ✓ | ✓ | ✓ | ✓ |
| 582k | 1" | CAN16100BPEV24 | ✓ | ✓ | ✓ | ✓ |
| 645k | 1-1/4" | CAN16125BPEV72 | ✓ | ✓ | ✓ | ✓ |
| 733k | 1-1/4" | CAN16125BPEV60 | ✓ | ✓ | ✓ | ✓ |
| 833k | 1-1/4" | CAN16125BPEV48 | ✓ | ✓ | ✓ | ✓ |
| 946k | 1-1/4" | CAN16125BPEV36 | ✓ | ✓ | ✓ | ✓ |
| 1075k | 1-1/4" | CAN16125BPEV24 | ✓ | ✓ | ✓ | ✓ |

† Minimum Flow Capacity (0.64 Sp. Gr., 1000 BTU/ft3 Natural Gas at 0.5" wc pressure drop)

| BTU/hr† | ID | PART # | Hose |
|-----------------------|--------|-------------|------|
| Gas Connectors | | | |
| 87k | 1/2" | 1650NPFS72 | ✓ |
| 93k | 1/2" | 1650NPFS60 | ✓ |
| 106k | 1/2" | 1650NPFS48 | ✓ |
| 120k | 1/2" | 1650NPFS36 | ✓ |
| 150k | 1/2" | 1650NPFS24 | ✓ |
| 175k | 3/4" | 1675NPFS72 | ✓ |
| 198k | 3/4" | 1675NPFS60 | ✓ |
| 225k | 3/4" | 1675NPFS48 | ✓ |
| 256k | 3/4" | 1675NPFS36 | ✓ |
| 291k | 3/4" | 1675NPFS24 | ✓ |
| 350k | 1" | 16100NPFS72 | ✓ |
| 397k | 1" | 16100NPFS60 | ✓ |
| 451k | 1" | 16100NPFS48 | ✓ |
| 512k | 1" | 16100NPFS36 | ✓ |
| 582k | 1" | 16100NPFS24 | ✓ |
| 645k | 1-1/4" | 16125NPFS72 | ✓ |
| 733k | 1-1/4" | 16125NPFS60 | ✓ |
| 833k | 1-1/4" | 16125NPFS48 | ✓ |
| 946k | 1-1/4" | 16125NPFS36 | ✓ |
| 1075k | 1-1/4" | 16125NPFS24 | ✓ |

Stationary Gas Connector Kits for Canada

Dormont stationary gas connector kits for Canada meet the code for standard 5.21.4 for stationary equipment.



COUNTERTOP & PORTABLE OUTDOOR GAS APPLIANCE CONNECTORS

Portable Outdoor Connectors for Natural Gas and LP Appliances

Dormont provides natural gas and liquid propane gas connectors that are specifically designed for outdoor applications. These connectors are outfitted with special quick disconnect fittings that make disconnecting and reconnecting your outdoor appliances to a gas supply line or tank safe and quick.

- Connect outdoor NG or LP appliances to a gas supply source.
- Allow movement of gas appliance around outdoor living space.
- Includes easy-to-use, time-saving quick disconnect.

Pressure and Temperature:

Working Pressure:
1/2 psi / .04 bar

Max Temp: 200°F / 93°C;
Min Temp: -40°F / -40°C

Gas Hose Connector listed to
ANSI Z21.54/CSA 8.4

Quick Disconnect listed to ANSI
Z21.41/CSA 6.9



| PART # | Gas | ID | Connector Type and Size | Length ft /m |
|----------|---------|------|--|--------------|
| 20D-10QD | NG / LP | 3/8" | 3/8" female flare x 3/8" female NPT QD | 10 / 3.05 |
| 20D-12QD | NG / LP | 3/8" | 3/8" female flare x 3/8" female NPT QD | 12 / 3.66 |
| 30D-10QD | NG / LP | 1/2" | 1/2" female flare x 1/2" female NPT QD | 10 / 3.05 |
| 30D-12QD | NG / LP | 1/2" | 1/2" female flare x 1/2" female NPT QD | 12 / 3.66 |

Accessories to Complete Your Installation

In addition to components included in various connector kits, Dormont offers a wide selection of Maxitrol regulators, fittings, valves, and numerous other parts for your use in installing connectors.

Maxitrol Regulators distributed by Dormont:

- Designed for main burner and pilot applications requiring precise control of gas flow.
- Feature high-strength aluminum castings.
- Tested for multi-positional mounting; may be installed on any plane or angle without restriction.

| BTU/hr | PART # | Pipe Size | Inlet Pressure | Outlet Pressure | |
|---|-----------------|-----------|----------------|----------------------------|--|
| Convertible Regulators for Natural Gas and Propane Gas (LPG) | | | | | |
| 125k | RV47CL-33 | 3/8" | 1/2 PSIG | 4.0" wc NG or 10.0" wc LPG | |
| 230k | RV48CL-32 | 1/2" | 1/2 PSIG | 5.0" wc NG or 10.0" wc LPG | |
| 275k | RV48CL-42 | 3/4" | 1/2 PSIG | 5.0" wc NG or 10.0" wc LPG | |
| Regulators for Natural Gas | | | | | |
| 125k | RV47LNG-22 | 3/8" | 1/2 PSIG | 2.8" - 5.2" wc | |
| 250k | R48N32-0306-3.5 | 1/2" | 1/2 PSIG | 3.0" - 6.0" wc | |
| 250k | R48N42-0306-3.5 | 3/4" | 1/2 PSIG | 3.0" - 6.0" wc | |
| 900k | RV61LNG-52 | 1" | 1/2 PSIG | 4.0" - 8.0" wc | |
| 900k | RV61LNG-62 | 1-1/4" | 1/2 PSIG | 4.0" - 8.0" wc | |
| 2500k | RV81LNG-72 | 1-1/2" | 1/2 PSIG | 3.0" - 8.0" wc | |
| Regulators for Propane Gas (LPG) | | | | | |
| 125k | RV47LLP-22 | 3/8" | 1/2 PSIG | 8.0" - 12.0" wc | |
| 400k | R48P32-0512-10 | 1/2" | 1/2 PSIG | 5.0" - 12.0" wc | |
| 400k | R48P42-0512-10 | 3/4" | 1/2 PSIG | 5.0" - 12.0" wc | |
| 900k | RV61LLP-52 | 1" | 1/2 PSIG | 5.0" - 12.0" wc | |
| 900k | RV61LLP-62 | 1-1/4" | 1/2 PSIG | 5.0" - 12.0" wc | |

Fittings, Valves, & Accessories

| PART # | Description | |
|---|-------------------------|--|
| Bushings | | |
| 70-4132 | 3/4" M.NPT x 1/2" FNPT | |
| 70-5142 | 1" M.NPT x 3/4" FNPT | |
| 70-6152 | 1-1/4" M.NPT x 1" FNPT | |
| Street Elbows - Male x Female | | |
| 050SE | 1/2" | |
| 075SE | 3/4" | |
| 100SE | 1" | |
| 125SE | 1-1/4" | |
| Elbows - Female x Female | | |
| 050E | 1/2" | |
| 075E | 3/4" | |
| 100E | 1" | |
| 125E | 1-1/4" | |
| Straight Ball Valves - FIP x FIP (Full Port) | | |
| 038FV | 3/8" FIP x 3/8" FIP | |
| 050FV | 1/2" FIP x 1/2" FIP | |
| 075FV | 3/4" FIP x 3/4" FIP | |
| 100FV | 1" FIP x 1" FIP | |
| 125FV | 1-1/4" FIP x 1-1/4" FIP | |

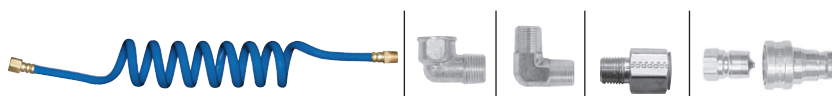
| PART # | Description | |
|--------------------------|-------------|--|
| Threaded Couplers | | |
| 050C | 1/2"NPS | |
| 075C | 3/4"NPS | |
| 100C | 1"NPS | |
| Threaded Nipples | | |
| 050SN | 1/2"NPS | |
| 075SN | 3/4"NPS | |
| 100SN | 1"NPS | |
| 125SN | 1-1/4" | |

LEAD FREE* SWIRL HOSE WATER SUPPLY LINES

LEAD FREE* Connectors for Water-fed Appliances

The Dormont Swirl Hose quickly and easily connects water-fed appliances and equipment to the water supply line, providing trouble-free installations that save you time and money. Applications include ice machines, coffee makers, steamers, combi-ovens, and drain lines.

- Made of durable, retractable, NSF-certified polyurethane
- Ensures easy mobility of the equipment
- Will not kink or crack like ordinary copper tubing.



| PART # | ID | Swirl Hose | Male Adapter/ Female Elbow | Male Adapter/ Male Elbow | Male NPT Adapter/ Female Flare Fitting | Lead Free 2-way Stainless Steel Quick Disconnect |
|--------|----|------------|-------------------------------|-----------------------------|---|---|
|--------|----|------------|-------------------------------|-----------------------------|---|---|

Swirl Hose Assemblies

| | | | | | | |
|------------|------|---|---|---|---|---|
| 71-1114-48 | 1/4" | √ | √ | | | |
| 71-1114-72 | 1/4" | √ | √ | | | |
| 72-2124-48 | 3/8" | √ | √ | | | |
| 72-2124-72 | 3/8" | √ | √ | | | |
| 73-3134-48 | 1/2" | √ | | √ | | |
| 73-3134-72 | 1/2" | √ | | √ | | |
| 71-1115-48 | 1/4" | √ | √ | | | √ |
| 71-1115-72 | 1/4" | √ | √ | | | √ |
| 72-2125-48 | 3/8" | √ | √ | | | √ |
| 72-2125-72 | 3/8" | √ | √ | | | √ |
| 73-3135-48 | 1/2" | √ | | √ | | √ |
| 73-3135-72 | 1/2" | √ | | √ | | √ |
| 71-1118-48 | 3/8" | √ | | | √ | |
| 71-1118-72 | 3/8" | √ | | | √ | |
| 71-1128-48 | 1/2" | √ | | | √ | |
| 71-1128-72 | 1/2" | √ | | | √ | |

NOTES:

1. Maximum allowable temperature rating: 160°F (71°C)
2. Maximum allowable operating pressure: 100 PSIG
3. Standard fitting combination is Fixed Male x Female with rotational end fittings.
4. All hose assemblies include a brass elbow fitting.
5. To order Lead Free* Water Quick Disconnects, see Page 21.

*The wetted surface of this product contacted by consumable water contains less than 0.25% of lead by weight.



Swirl Hose Installation – Coffee Machine

Lead Free* Brass Fittings

| PART # | Description | ID |
|-------------|-----------------------------------|----|
| LF90-1112 | 1/4" Male NPT x 1/4" Female Flare | |
| LF90-1122 | 1/4" Male NPT x 3/8" Female Flare | |
| LF90-4142GH | 3/4" Garden Hose BIB | |

Lead Free* Elbows

| | | |
|-----------|---------------------------------|--|
| LF95-1112 | 1/4" Male NPT x 1/4" Female NPT | |
| LF95-2122 | 3/8" Male NPT x 3/8" Female NPT | |
| LF95-3131 | 1/2" Male NPT x 1/2" Male NPT | |

LEAD FREE*
Water Connector Solutions

Dormont Hi-PSI® Flex water connectors provide long, trouble-free service life—and permit quick, safe connection of hot and cold water service lines and steam lines to move-able/castered and stationary foodservice equipment. Use with utility distribution systems, steam kettles, steam tables, combi-ovens and other foodservice equipment.

Coated Water Connectors with 2-Way Quick Disconnect



| ID / Length | 24" | 36" | 48" | 60" | 72" |
|-------------|------------|------------|------------|------------|------------|
| 1/4" | W25BP2Q24 | W25BP2Q36 | W25BP2Q48 | W25BP2Q60 | W25BP2Q72 |
| 3/8" | W37BP2Q24 | W37BP2Q36 | W37BP2Q48 | W37BP2Q60 | W37BP2Q72 |
| 1/2" | W50BP2Q24 | W50BP2Q36 | W50BP2Q48 | W50BP2Q60 | W50BP2Q72 |
| 3/4" | W75BP2Q24 | W75BP2Q36 | W75BP2Q48 | W75BP2Q60 | W75BP2Q72 |
| 1" | W100BP2Q24 | W100BP2Q36 | W100BP2Q48 | W100BP2Q60 | W100BP2Q72 |

- Stainless steel corrugated hose with braid
- Coated in gray antimicrobial PVC, with blue (cold) and red (hot) labels included.
- 2-Way disconnect

Coated Water Connectors



| ID / Length | 24" | 36" | 48" | 60" | 72" |
|-------------|----------|----------|----------|----------|----------|
| 1/4" | W25BP24 | W25BP36 | W25BP48 | W25BP60 | W25BP72 |
| 3/8" | W37BP24 | W37BP36 | W37BP48 | W37BP60 | W37BP72 |
| 1/2" | W50BP24 | W50BP36 | W50BP48 | W50BP60 | W50BP72 |
| 3/4" | W75BP24 | W75BP36 | W75BP48 | W75BP60 | W75BP72 |
| 1" | W100BP24 | W100BP36 | W100BP48 | W100BP60 | W100BP72 |

- Stainless steel corrugated hose with braid
- Coated in gray antimicrobial PVC, with blue (cold) and red (hot) labels

Uncoated Water Connectors with Quick Disconnect



| ID / Length | 24" | 36" | 48" | 60" | 72" |
|-------------|-----------|-----------|-----------|-----------|-----------|
| 1/4" | W25B2Q24 | W25B2Q36 | W25B2Q48 | W25B2Q60 | W25B2Q72 |
| 3/8" | W37B2Q24 | W37B2Q36 | W37B2Q48 | W37B2Q60 | W37B2Q72 |
| 1/2" | W50B2Q24 | W50B2Q36 | W50B2Q48 | W50B2Q60 | W50B2Q72 |
| 3/4" | W75B2Q24 | W75B2Q36 | W75B2Q48 | W75B2Q60 | W75B2Q72 |
| 1" | W100B2Q24 | W100B2Q36 | W100B2Q48 | W100B2Q60 | W100B2Q72 |

- Stainless steel corrugated hose with braid
- 2-Way disconnect

Uncoated Water Connectors



| ID / Length | 24" | 36" | 48" | 60" | 72" |
|-------------|---------|---------|---------|---------|---------|
| 1/4" | W25B24 | W25B36 | W25B48 | W25B60 | W25B72 |
| 3/8" | W37B24 | W37B36 | W37B48 | W37B60 | W37B72 |
| 1/2" | W50B24 | W50B36 | W50B48 | W50B60 | W50B72 |
| 3/4" | W75B24 | W75B36 | W75B48 | W75B60 | W75B72 |
| 1" | W100B24 | W100B36 | W100B48 | W100B60 | W100B72 |

- Stainless steel corrugated hose with braid

NOTES:
1. 150 PSI maximum.
2. Hot water temperatures up to 225°F (107°C)

*The wetted surface of this product contacted by consumable water contains less than 0.25% of lead by weight.

WATER & STEAM CONNECTORS

Combi-Oven Water Connectors



| ID / Length | 48" | 60" | Description |
|-------------|-------------|-------------|--------------------------|
| 3/8" | CMB37BP48 | CMB37BP60 | 3/4" Hose BIB x 3/8" MIP |
| 3/8" | CMB37BP2Q48 | CMB37BP2Q60 | 3/4" Hose BIB x 3/8" QD |

Garden Hose Adapter



| | | | |
|------|-------------|-------------|---------------|
| 3/4" | LF90-4142GH | LF90-4142GH | 3/4" Hose BIB |
|------|-------------|-------------|---------------|

- Connectors feature corrugated stainless steel with braid.
- Coated in gray antimicrobial PVC.
- 2-Way disconnect
- Garden hose adapter is Lead Free*.

Steam Connectors



| ID / Length | 24" | 36" | 48" | 60" | 72" |
|-------------|-----------|-----------|-----------|-----------|-----------|
| 1/2" | H50BIP24 | H50BIP36 | H50BIP48 | H50BIP60 | H50BIP72 |
| 3/4" | H75BIP24 | H75BIP36 | H75BIP48 | H75BIP60 | H75BIP72 |
| 1" | H100BIP24 | H100BIP36 | H100BIP48 | H100BIP60 | H100BIP72 |

- Corrugated stainless steel with braid.
- Fittings on both ends.
- Orange insulating sleeve and heat shield.

Steam Connectors with Quick Disconnect



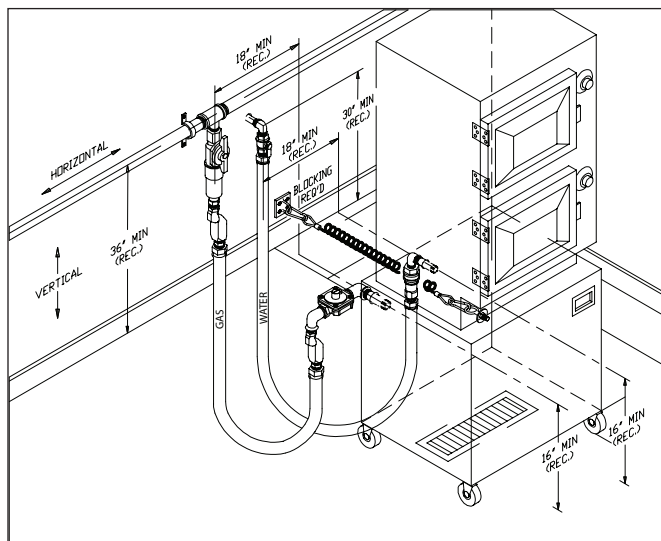
| ID / Length | 24" | 36" | 48" | 60" | 72" |
|-------------|------------|------------|------------|------------|------------|
| 1/2" | H50BIP2Q24 | H50BIP2Q36 | H50BIP2Q48 | H50BIP2Q60 | H50BIP2Q72 |
| 3/4" | H75BIP2Q24 | H75BIP2Q36 | H75BIP2Q48 | H75BIP2Q60 | H75BIP2Q72 |

- Corrugated stainless steel with braid.
- Fittings on both ends.
- Orange insulating sleeve and heat shield.
- 2-Way disconnect

NOTES:

1. 125 PSI maximum.
2. Hot water temperatures up to 500°F

*The wetted surface of this product contacted by consumable water contains less than 0.25% of lead by weight.



Water and gas connector applications

Lead Free* Water Quick-Disconnect 2-Way Coupling

| Size | Part Number |
|------|-------------|
| 1/4" | LFW25QD |
| 3/8" | LFW37QD |
| 1/2" | LFW50QD |
| 3/4" | LFW75QD |
| 1" | LFW100QD |



- 2-way coupling shuts off water at equipment and supply.
- Includes coupling and nipple.

FloPro™-MD Gas Flow and Pressure Measurement System

The Dormont FloPro-MD assists service technicians and installers with equipment start-ups and commissioning and helps with the quick diagnosis of gas flow or gas pressure issues with gas-burning equipment. With its innovative gas measurement capabilities, FloPro-MD speeds the start-up and commissioning process of gas burning appliances, while logging data via Bluetooth® wireless technology to smart devices using iOS and Android™ operating systems.

The QD Accessory Kit offers Dormont's Push-to-Connect SnapFast® Quick-Disconnect. With this new user-friendly accessory option, service technicians can install and remove the FloPro-MD in mere seconds! Identifying gas flow or pressure issues at the appliance has never been faster!

Bluetooth® is a trademark of Bluetooth SIG, Inc. Android is a trademark of Google LLC.



68004852



68005190

| Order Number | Model Number | Description |
|--------------|--------------|---|
| 68004852 | FPMD75FFKIT | Dormont FloPro-MD 3/4" FNPT, Standard Hard Case Kit |
| 68005190 | FPMD75FFKITQ | Dormont FloPro-MD 3/4" FNPT, Quick Disconnect Accessory Kit |



- Verify gas pressure, flow and BTU output on commercial kitchen appliances
- Upload real-time data to your smart device via Bluetooth connectivity
- Create reports that demonstrate installation meets manufacturer's specifications
- Validate Your Work and Build Customer Confidence

GAS CONNECTOR DESIGN CERTIFICATIONS



USA



CANADA



Approved by the Commonwealth of Massachusetts Board of State Examiners of Plumbers and Gas Fitters.

City of New York MEA #274-02-E and #379-92-M

- ANSI Z21.15/CSA 9.1** Manually Operated Gas Valve for Appliances, Appliance Connector Valves and Hose End Valves
- ANSI Z21.69/CSA 6.16** Connectors for Moveable Gas Appliances
- ANSI Z21.90/CSA 6.24** Gas Convenience Outlets
- ANSI Z21.41/CSA 6.9** Quick Disconnect devices for use with gas fuel appliances
- ANSI Z21.18/CSA 6.3** Gas Appliance Pressure Regulators
- ANSI/UL 567** Pipe Connectors for Flammable and Combustible Liquids and LP-Gas. For use with natural gas and propane.
- NSF/ANSI 169 Special Purpose Food Equipment and Devices. (On PVC-coated models only)



- ANSI Z223.1/NFPA 54** National Fuel Gas Code. Commercial cooking appliances that are moved for cleaning and sanitation purposes shall be connected in accordance with the connector manufacturer's installation instructions using a listed appliance connector complying with ANSI Z21.69, Connectors for Moveable Gas Appliances.
- CSA B149.1** Natural Gas and Propane Installation Code.

⚠ WARNING
ALL INSTALLATIONS MUST COMPLETELY COMPLY WITH ALL DORMONT MANUFACTURING COMPANY WARNINGS AND INSTRUCTIONS, NATIONAL, STATE AND LOCAL CODES AND ALL APPLICABLE ANSI/CSA STANDARDS.

INDUSTRY AFFILIATIONS

Dormont plays an active role in the growth and development of the foodservice industry, working closely with companies in all sectors to promote the safe, efficient use of gas cooking equipment.



HOW TO ORDER

Dormont's Quick Ship 24 program allows you to get what you need even quicker than our standard fast turn-around. We will ship your order for popular Dormont products to any single designated location in the continental United States within 24 hours.

Quick Ship 24

ONLINE:

Dormont products are featured online at:

- dormont.com
- AutoQuotes (www.aqnet.com)
- Kochman Consultants LTD (kclcad.com)

The following conditions apply:

1. Orders for Quick Ship products* will ship within 24 hours of receipt of a purchase order, or the next business day.
2. Orders must ship to a single location in the Continental United States.
3. Dormont reserves the right to limit quantities.
4. All current shipping policies and minimums apply.
5. Next day air delivery is available for an additional fee.
6. "Quick Ship" must be clearly marked on the order.
7. Available to Dormont customers in good credit standing.

* Qualifying Blue Hose Kit Quick Ship Products:

- 3/4" x 48" Blue Hose Gas Connector Kits
- A50, A75, A100, A125
- SM50, SM75, SM100, SM125
- CF-50, CF-75, CF-100
- Restraining Cable Devices
- Safety-Set®

Qualifying ReliaGuard Quick Ship Products

- 3/4" ReliaGuard Connector Kits
- B50, B75, B100
- SM50-GRAY, SM75-Gray, SM100-Gray
- Restraining Cable Devices



Kochman Consultants Ltd.
Developers & Distributors of The KCL CADalog

AUTOQUOTES™

DORMONT DISPLAYS & SALES AIDS

Our attractive point-of-purchase displays will make both the sales staff and the customer aware of the necessity of including a gas connector with every new gas equipment purchase.

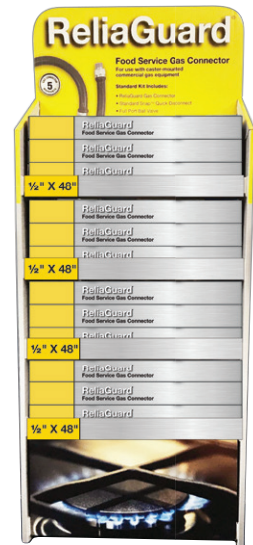
Your customers will thank you for providing them with the right connector every time to ensure their new equipment operates to the manufacturer specifications.

The D-25A display rack holds 24 boxed Blue Hose Gas Connector kits. Plus, every display unit is shipped with a helpful Connector Selector buying guide, a laminated aid to help customers determine and select the right gas connector for their application.

The ReliaGuard display includes four shelves to hold up to 12 product kits. Made with heavy duty corrugated material, the sleek design is easy to assemble and fits neatly within your product offering. The display is FREE when ordering 1/2 or one Full pallet of ReliaGuard kits.



D-25A Blue Hose Display Rack



ReliaGuard Corrugated Display

Call Dormont at 800-367-6668 or your sales professional for more information.

Connect with Confidence®

With Dormont, you—and your customers—gain the security of knowing...

- EVERY connector is backed by the safe installation of more than 160,000,000 gas connectors over 70 years.
- EVERY connector is 100% leak tested.
- Our products are specified and preferred by gas utilities, housing authorities, professional installers, and restaurant chains nationwide.
- Dormont makes each gas connector as if it were going to be installed in our own homes or businesses.
- Dormont provides competitive pricing without sacrificing quality.

With Dormont, you—and your customers—gain the quality assurance of...

- An ISO 9001:2015 registered U.S. manufacturer of gas connectors.
- State-of-the-art production facilities with proprietary equipment in Pittsburgh, Pennsylvania, USA.
- Expert factory-based technical support for installations.
- Exceeding the performance requirements required by the ANSI/CSA product standards.
- Consistent, world-class service and inventory support with 99% on-time shipping.

Dormont is proud to be a manufacturer located in the United States of America.

Dormont's moveable foodservice connectors are assembled in the USA from both domestic and foreign parts and components.





A WATTS Brand

USA: T: (800) 367-6668 • F: (724) 733-4808 • Dormont.com
Canada: T: (888) 208-8927 • F: (905) 332-7068 • Dormont.ca
Latin America: T: (52) 55-4122-0138 • Dormont.com