

Installation, Maintenance, and Repair Manual

Series 957, 957RPDA, LF957RPDA

Reduced Pressure Zone Assemblies Reduced Pressure Detector Assemblies

2½" – 10"

⚠ WARNING



Read this Manual **BEFORE** using this equipment. Failure to read and follow all safety and use information can result in death, serious personal injury, property damage, or damage to the equipment. Keep this Manual for future reference.



⚠ WARNING

Local building or plumbing codes may require modifications to the information provided. You are required to consult the local building and plumbing codes prior to installation. If the information provided here is not consistent with local building or plumbing codes, the local codes should be followed. This product must be installed by a licensed contractor in accordance with local codes and ordinances.

⚠ WARNING

Need for Periodic Inspection/Maintenance: This product must be tested periodically in compliance with local codes, but at least once per year or more as service conditions warrant. All products must be retested once maintenance has been performed. Corrosive water conditions and/or unauthorized adjustments or repair could render the product ineffective for the service intended. Regular checking and cleaning of the product's internal and external components helps assure maximum life and proper product function.

⚠ WARNING

This device must be tested periodically in compliance with local codes, but at least once per year or more as service conditions warrant. If installed on a fire sprinkler system, all mechanical checks, such as alarm checks and backflow preventers, should be flow tested and inspected internally in accordance with NFPA 13 and NFPA 25.

⚠ WARNING

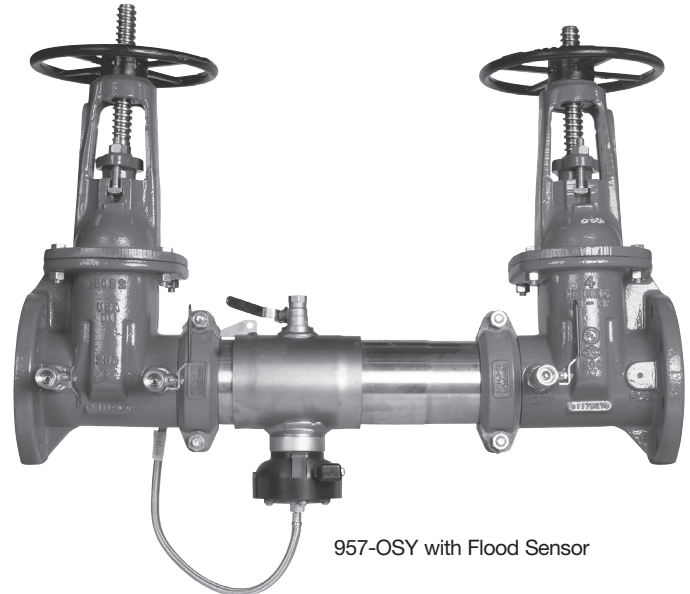
Do not impede or prevent sleeve movement by installing riser cradle clamps or other obstructive elements on or around the sleeve. Sleeve movement is required to service the backflow.

Testing

For field testing procedure, refer to Watts installation sheets IS-TK-DL, IS-TK-9A, IS-TK-99E and IS-TK-99D at www.watts.com.

For Australia, refer to Australian standard AS/NZS 2845.3.

For technical assistance, contact your local Watts representative.



957-OSY with Flood Sensor

Series 957, 957RPDA, and LF957RPDA each include a flood sensor on the relief valve to detect excessive discharge and trigger notification of potential flood events.

NOTICE

An add-on connection kit is required to activate the flood sensor. Without the connection kit, the sensor is a passive component that has no communication with any other device. (A retrofit connection kit is also available for existing installations. See "Add-on and Retrofit Sensor Connection Kits," for ordering details.)

NOTICE

Use of the flood sensor does not replace the need to comply with all required instructions, codes, and regulations related to installation, operation, and maintenance of this product, including the need to provide proper drainage in the event of a discharge.

Watts is not responsible for the failure of alerts due to connectivity issues, power outages, or improper installation.

NOTICE

For Australia and New Zealand: Pipeline strainers should be installed between the upstream shutoff valve and the inlet of the backflow preventer.

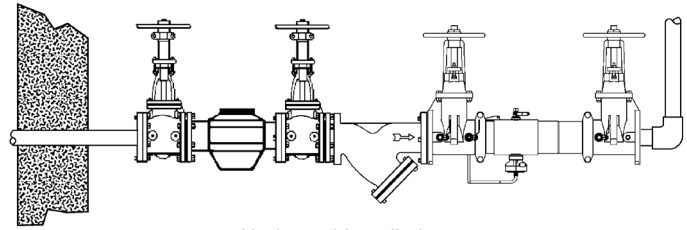
Fittings such as end connectors intended to join alternative pipe systems made from other materials (such as plastics) shall also conform to the relevant dimensional and performance requirements of the appropriate Australian, New Zealand, or joint Australian–New Zealand Standard for the alternative pipe system.

Installation Guidelines

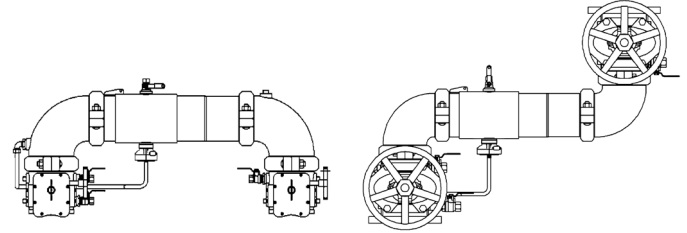
- Most field problems occur because dirt and debris are present in the system at the time of installation and becomes trapped in check No. 1. The system should be flushed before the backflow valve is installed. If the system is not flushed until after the backflow valve is installed, remove both check modules from the valve and open the inlet shutoff to allow water to flow for a sufficient time to flush debris from the water line. If debris in the water system continues to cause fouling, a strainer can be installed upstream of the backflow assembly.
- Series 957, 957RPDA, and LF957RPDA can be installed in either horizontal, "N" pattern, or "Z" pattern position as long as the backflow assembly is installed in accordance with the direction of the flow arrow on the assembly and the local water authority approves the installation.
- The assembly should be installed with adequate clearance around the valve to allow for inspection, testing, and servicing. Ensure a minimum clearance of 12" between the lower portion of the assembly and the floor or grade. The valve should be protected from freezing.
- Installing a backflow preventer in a pit or vault is not recommended.
- Normal discharge and nuisance spitting are accommodated by the use of a Watts air gap fitting and a fabricated indirect waste line. A floor drain appropriately sized for the discharge must be provided in case of excessive discharge. For more information, download ES-RVD for relief valve discharge rates.
- When installing an air gap, attach the air gap brackets directly onto the flood sensor.
- Have a certified technician test the series at the time of installation.

NOTICE

Assembly body should not be painted.



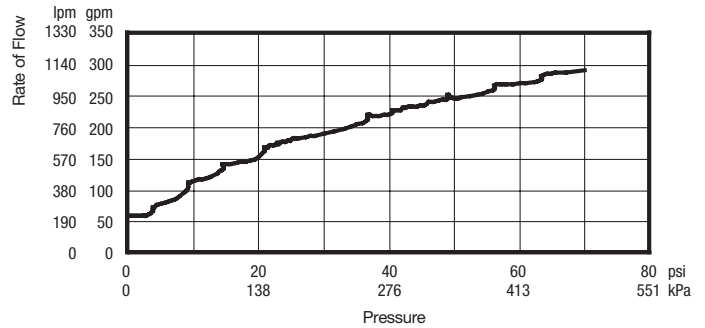
Horizontal Installation



N Pattern

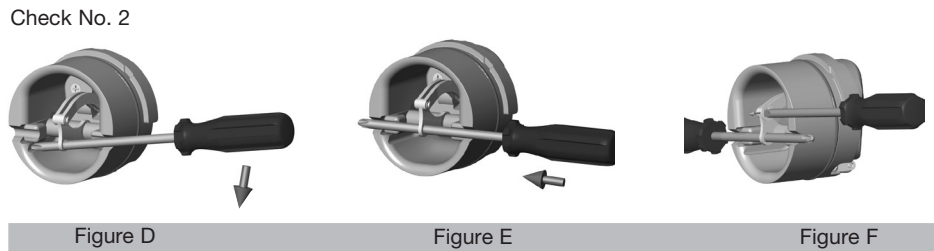
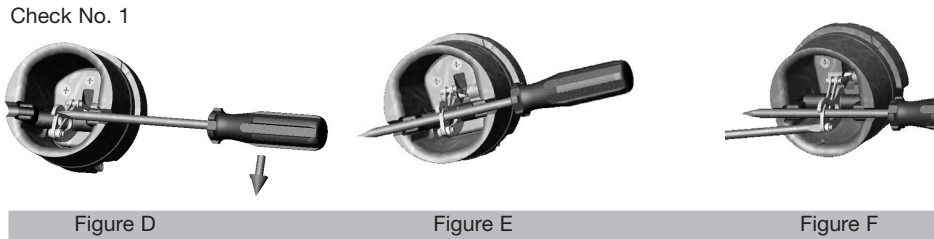
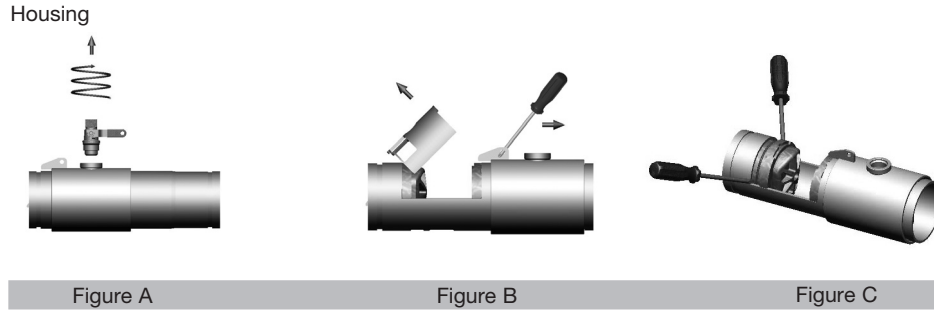
Z Pattern

Relief Valve Discharge Rates 2½" – 10"



Maintaining the Check Modules

2½" – 6"



⚠ WARNING

Before servicing any Watts valve, it is mandatory to shut down the water system by closing both the inlet and outlet shutoff valves. After the shutoff valves are closed, open test cocks No. 2, No. 3, and No. 4 to relieve pressure within the backflow assembly.

1. After test cock No. 3 has been opened to relieve pressure, remove the test cock from the housing. (See Figure A.)
2. Insert a #3 screwdriver through the hole on the top of the cover sleeve and using both hands rotate the cover sleeve approximately a quarter turn clockwise and a quarter turn counterclockwise to break the sleeve O-ring seals. Using the screwdriver, slowly slide the cover sleeve to the downstream side of the housing. (See Figure B.)
3. Remove the stainless steel check retainer from the housing. (See Figure B.)
4. Remove the check No. 1 module by inserting two flat blade screwdrivers into the slots on either side of the check module and gently pry the check module toward the open zone. (See Figure C.)
5. Repeat step 4 to remove check No. 2 module. (For servicing 6" checks, see the maintenance instructions for valve sizes 8" to 10".)
6. To clean or inspect either check module, insert a #3 screwdriver through the downstream side of the check module. (See Figures D and E.) When the screwdriver is in place, remove the E-clip and pin connecting the structural members. (See Figure F.) The check clapper opens with no tension.
7. Thoroughly clean the seating area. The sealing disc can be removed, if necessary, by detaching the screws connecting the keeper plate to the clapper. Reverse and reinstall the sealing disc if the elastomer is cut or damaged.
8. Wash the check module and O-ring and inspect for any damage. If damaged, reinstall new parts.
9. After a thorough cleaning, lubricate the O-ring with an FDA Approved lubricant, replace the pin and E-clip in the structural members, remove the screwdriver, and reinstall the check modules. Reverse the order of these steps to reassemble the parts and housing.

Maintaining the Check Modules

8" – 10"

Tool Requirements

- #3 Phillips screwdriver or $\frac{5}{16}$ " diameter rod, length sufficient to span the diameter of the checks (See Figures A and B.)
- $\frac{1}{2}$ " – 13 x 5 fully threaded hex bolt (service bolt)
- $\frac{3}{4}$ " open end or socket wrench

Instructions

⚠ WARNING

Before servicing any Watts valve, shut down the water system by closing both the inlet and outlet shutoff valves. This is mandatory. After the shutoff valves are closed, open test cocks No. 2, No. 3, and No. 4 to relieve pressure within the backflow assembly.

1. After test cock No. 3 has been opened to relieve pressure, remove the test cock from the housing. (When repairing an 8" or 10" device, remove both Victaulic couplers from the body. Slide the downstream Victaulic coupler gasket to the downstream side of the housing. The upstream Victaulic coupler gasket stays in place.)
2. Remove the check(s) to be serviced.
3. Locate the service hole and thread in the service bolt by hand until it contacts the linkage. (See Figure A.)
4. Continue to thread in service bolt with the wrench until the service hole in the linkage is aligned with the service notches on the spring arbors. (See Figure A.)
5. Insert the Phillips screwdriver through the arbors and service hole of the linkage making sure that the tip of the screwdriver extends past the ends of the arbors by a minimum of $\frac{1}{4}$ ". (See Figure B.)
6. Loosen the service bolt until the load is transferred to the screwdriver. Continue to loosen the service bolt until there is sufficient clearance to remove the complete spring mechanism.
7. To disconnect the linkage, remove the retaining clip and pin. Store both items in a safe location for reinstallation.
8. To remove the spring mechanism, grasp the screwdriver at the center and pull the complete assembly straight out and store in a safe place.
9. Reverse the order of these steps to reassemble the parts and housing.

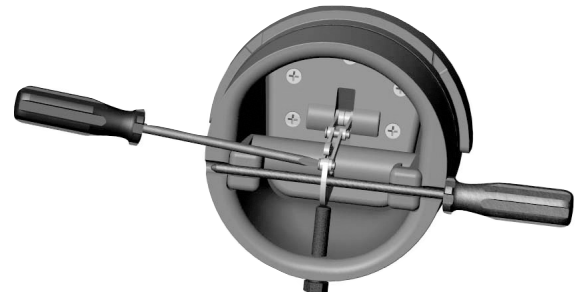
⚠ WARNING

While the spring mechanism is being removed, never pull the screwdriver out or off the support notches on the arbors. Doing so may cause bodily injuries.

Figure A



Figure B



Servicing the Relief Valve

⚠ WARNING

Before to servicing the relief valve, it is mandatory to shut down water system by closing both the inlet and outlet shutoff valves and relieving pressure within the assembly by opening test cocks No. 2, No. 3, and No. 4.

DO NOT REMOVE SPIDER BUSHING FOR SERVICING

1. Detach the activation module, if installed, from the flood sensor.
2. Use a #2 Phillips screwdriver to remove the sensor from the relief valve.
3. Disconnect the hose from the bottom cover plate to the relief valve.
4. An O-ring seals the relief valve body to the main housing. Avoid tightening the connection beyond firm hand tightening. Loosen the relief valve by hand to remove it, then unscrew the relief valve from the housing.
5. Remove the cover plate of the relief valve by detaching the four connecting screws.
6. Remove the rubber diaphragm from the relief valve. Notice how the diaphragm is configured to reinstall it in the same manner. The hard rubber tab in the diaphragm fits into a similar socket in the head of the piston. (See Figure A.)
7. Hold the relief valve in both hands with the threaded end up and both thumbs on the head of the piston. Push up on the piston until the piston shaft with the attached E-clip is exposed. Remove the E-clip. (See Figure B.)
8. Remove the piston and spring from the relief valve housing and thoroughly clean all parts including the diaphragm. Inspect all rubber parts and replace any that are damaged.
9. Reverse the order of these steps to reassemble the parts and housing.

Figure A

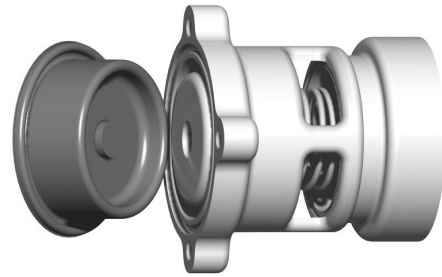
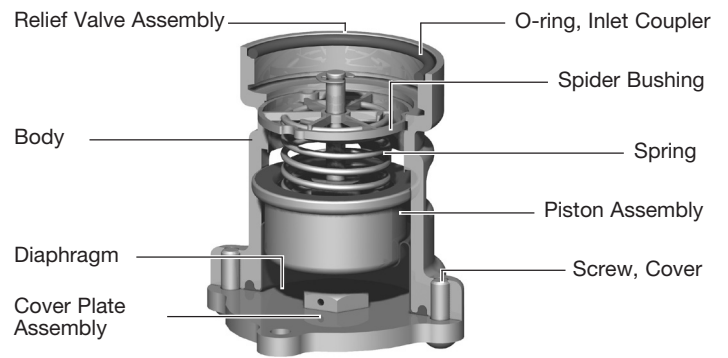
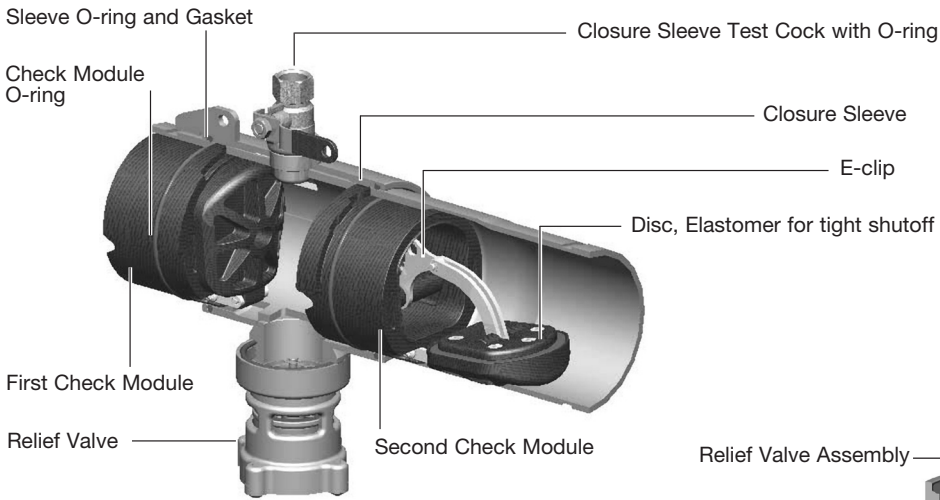


Figure B



Parts





For repair kits and parts, refer to the Backflow Prevention Products Repair Kits & Service Parts PL-RP-BPD price list at watts.com.



Troubleshooting

SYMPTOM	CAUSE	SOLUTION
Relief valve discharges water while system is not flowing	Check No. 1 is fouled	Remove and clean check No. 1
	Relief valve does not properly close	Service relief valve
	Municipal water pressure is fluctuating	Install check valve upstream of backflow assembly
Relief valve does not shut off properly	Fouled relief valve seat	Service relief valve
	Incorrectly Installed diaphragm	Remove diaphragm and correctly install
	Damaged rubber surface on piston	Replace with new piston
	Damaged or plugged pressure hose	Replace or clear pressure hose

Add-on and Retrofit Sensor Connection Kits for Building Management Systems

PART NUMBER	ADD-ON/RETROFIT KIT	DESCRIPTION
88009418	 <p>FP-BF-BMS BMS Sensor Connection Kit Series 957, 957RPDA, LF957RPDA Series 994, 994RPDA Sizes 2½" to 10"</p>	Includes sensor activation module with cable, ground wire, and power adapter. Use this kit to activate the flood sensor and enable flood detection capabilities on the relief valve of a new installation linked to a BMS controller (not included).
88009419	 <p>FP-RFK-BF-BMS-CFS BMS Sensor Retrofit Connection Kit Series 957, 957RPDA, LF957RPDA Series 994, 994RPDA Sizes 2½" to 10"</p>	Includes flood sensor, sensor activation module with cable, ground wire, and power adapter. Use this kit to install the flood sensor and enable flood detection capabilities on the relief valve of an existing installation linked to a BMS controller (not included).

Add-on and Retrofit Sensor Connection Kits for Cellular Communication

PART NUMBER	ADD-ON/RETROFIT KIT	DESCRIPTION
88009420	 <p>FP-BF-CFS Cellular Sensor Connection Kit Series 957, 957RPDA, LF957RPDA Series 994, 994RPDA Sizes 2½" to 10"</p>	Includes sensor activation module with cable, Cellular Gateway with mounting kit, ground wire, and power adapter. Use this kit to activate the flood sensor and enable flood detection capabilities on the relief valve of a new installation linked to a cellular network to send alerts by email message, SMS text message, or voice call.
88009421	 <p>FP-RFK-BF-CFS Cellular Sensor Retrofit Connection Kit Series 957, 957RPDA, LF957RPDA Series 994, 994RPDA Sizes 2½" to 10"</p>	Includes flood sensor, sensor activation module with cable, Cellular Gateway with mounting kit, ground wire, and power adapter. Use this kit to install the flood sensor and enable flood detection capabilities on the relief valve of an existing installation linked to a cellular network to send alerts by email message, SMS text message, or voice call.

Limited Warranty: Watts (the "Company") warrants each product to be free from defects in material and workmanship under normal usage for a period of one year from the date of original shipment. In the event of such defects within the warranty period, the Company will, at its option, replace or recondition the product without charge.

THE WARRANTY SET FORTH HEREIN IS GIVEN EXPRESSLY AND IS THE ONLY WARRANTY GIVEN BY THE COMPANY WITH RESPECT TO THE PRODUCT. THE COMPANY MAKES NO OTHER WARRANTIES, EXPRESS OR IMPLIED. THE COMPANY HEREBY SPECIFICALLY DISCLAIMS ALL OTHER WARRANTIES, EXPRESS OR IMPLIED, INCLUDING BUT NOT LIMITED TO THE IMPLIED WARRANTIES OF MERCHANTABILITY AND FITNESS FOR A PARTICULAR PURPOSE.

The remedy described in the first paragraph of this warranty shall constitute the sole and exclusive remedy for breach of warranty, and the Company shall not be responsible for any incidental, special or consequential damages, including without limitation, lost profits or the cost of repairing or replacing other property which is damaged if this product does not work properly, other costs resulting from labor charges, delays, vandalism, negligence, fouling caused by foreign material, damage from adverse water conditions, chemical, or any other circumstances over which the Company has no control. This warranty shall be invalidated by any abuse, misuse, misapplication, improper installation or improper maintenance or alteration of the product.

Some States do not allow limitations on how long an implied warranty lasts, and some States do not allow the exclusion or limitation of incidental or consequential damages. Therefore the above limitations may not apply to you. This Limited Warranty gives you specific legal rights, and you may have other rights that vary from State to State. You should consult applicable state laws to determine your rights. **SO FAR AS IS CONSISTENT WITH APPLICABLE STATE LAW, ANY IMPLIED WARRANTIES THAT MAY NOT BE DISCLAIMED, INCLUDING THE IMPLIED WARRANTIES OF MERCHANTABILITY AND FITNESS FOR A PARTICULAR PURPOSE, ARE LIMITED IN DURATION TO ONE YEAR FROM THE DATE OF ORIGINAL SHIPMENT.**



USA: T: (978) 689-6066 • Watts.com

Canada: T: (888) 208-8927 • Watts.ca

Latin America: T: (52) 55-4122-0138 • Watts.com

Manuel d'installation, d'entretien et de réparation

Série 957, 957RPDA, LF957RPDA

Ensembles pour zones à pression réduite
Dispositifs de pression réduite

2½ po à 10 po (6,4 cm à 25,4 cm)

⚠ AVERTISSEMENT



Veillez lire ce manuel AVANT d'utiliser cet équipement. Le non-respect de toutes les instructions de sécurité et d'utilisation peut entraîner des dommages matériels, des dommages à l'équipement, des blessures graves ou la mort.

**LA SÉCURITÉ
AVANT
TOUT**

Conservez ce manuel pour référence ultérieure.

⚠ AVERTISSEMENT

Il se peut que les codes du bâtiment ou de plomberie locaux nécessitent des modifications aux informations fournies. Vous êtes tenu de consulter les codes du bâtiment et de plomberie locaux avant l'installation. Si les informations fournies ici ne sont pas compatibles avec les codes du bâtiment ou de plomberie locaux, les codes locaux prévalent. Ce produit doit être installé par un entrepreneur autorisé et respecter les codes et les ordonnances locaux.

⚠ AVERTISSEMENT

Nécessité d'une inspection/d'un entretien périodique : Ce produit doit être testé périodiquement, conformément aux codes locaux, au moins une fois par an ou plus selon les conditions de service. Tous les produits doivent être testés à nouveau une fois l'entretien terminé. Un environnement avec de l'eau corrosive et/ou des réglages ou des réparations non autorisés peuvent rendre le produit inefficace pour le service prévu. La vérification et le nettoyage réguliers des composants internes et externes du produit contribuent à assurer une durée de vie maximale et un fonctionnement adéquat du produit.

⚠ AVERTISSEMENT

Ce dispositif doit être testé périodiquement, conformément aux codes locaux, au moins une fois par an ou plus selon les conditions de service. S'il est installé sur un système d'extinction d'incendie, toutes les vérifications mécaniques, par ex., les alarmes et les dispositifs antirefoulement, doivent inclure une inspection et un test d'écoulement en accord avec les normes NFPA 13 et/ou NFPA 25.

⚠ AVERTISSEMENT

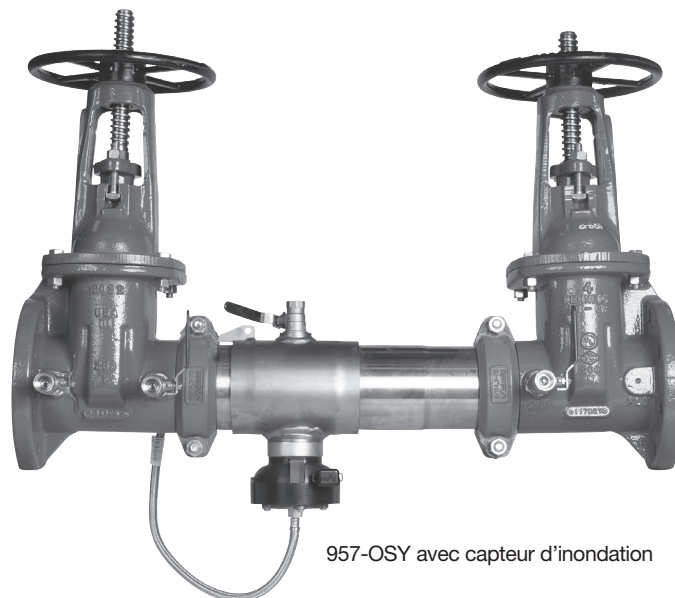
N'entravez pas ou n'empêchez pas le mouvement du manchon en installant des brides de berceau de colonne montante ou d'autres éléments obstructifs sur ou autour du manchon. Le mouvement du manchon est nécessaire pour le service de refoulement.

Essai

Pour la procédure d'essai sur le terrain, reportez-vous aux fiches d'installation Watts IS-TK-DL, IS-TK-9A, IS-TK-99E et IS-TK-99D sur www.watts.com.

Pour l'Australie, consultez la norme australienne AS/NZS 2845.3.

Pour le soutien technique, veuillez communiquer avec votre représentant Watts local.



957-OSY avec capteur d'inondation

Les séries 957, 957RPDA et LF957RPDA comprennent chacune un capteur d'inondation sur la soupape de décharge pour détecter une évacuation excessive et déclencher une notification d'un événement d'inondation potentiel.

AVIS

Une trousse de raccordement supplémentaire est nécessaire pour activer le capteur d'inondation. Sans la trousse de raccordement, le détecteur est un composant passif qui ne communique avec aucun autre appareil. (Une trousse de raccordement de modernisation est également disponible pour les installations existantes. Voir « Trusses de connexion de capteur complémentaire et de modernisation » pour les détails de commande.)

AVIS

L'utilisation du capteur d'inondation ne remplace pas le besoin de se conformer à toutes les instructions, à tous les codes et à toute la réglementation requis liés à l'installation, au fonctionnement et à la maintenance de ce produit, y compris le besoin d'assurer un drainage approprié en cas d'évacuation.

Watts n'est pas responsable de la défaillance des alertes due à des problèmes de connectivité, à des coupures de courant ou à une mauvaise installation.

AVIS

Pour l'Australie et la Nouvelle-Zélande : Des crépines de tuyauterie doivent être installées entre la vanne d'arrêt en amont et l'entrée du dispositif antirefoulement.

Les raccords, tels que les embouts, destinés à raccorder des systèmes de tuyauterie alternatifs fabriqués à partir d'autres matériaux (tels que les plastiques) doivent également être conformes aux exigences dimensionnelles et de performance de la norme australienne, néo-zélandaise ou de la norme conjointe australo-néo-zélandaise appropriée pour le système de tuyauterie alternatif.

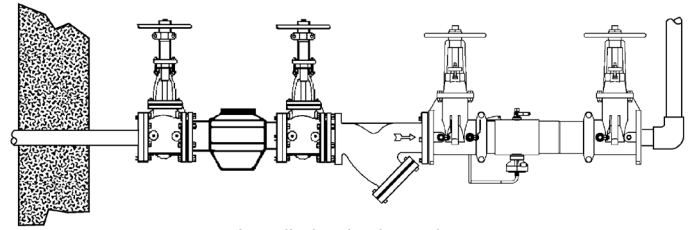
WATTS®

Directives d'installation

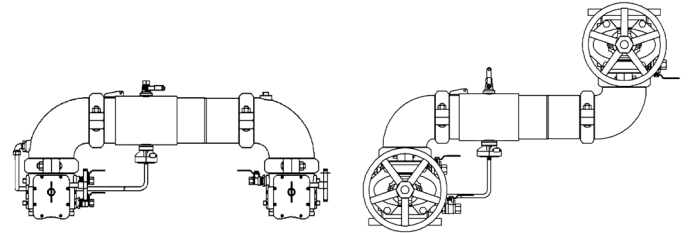
- La plupart des problèmes sur le terrain surviennent en raison de la présence de saletés et de débris dans le système au moment de l'installation, ceux-ci finissent emprisonnés dans le clapet antiretour n° 1. Le système doit être rincé avant l'installation de la soupape de refoulement. Si le système n'est pas été rincé avant l'installation de la soupape de refoulement, retirez les deux modules antiretour de la soupape et ouvrez le robinet d'arrêt d'admission afin de permettre à l'eau de s'écouler pendant le temps nécessaire à l'évacuation des débris de la conduite d'eau. Si des débris dans le système d'eau continuent de l'encrasser, une crépine peut être installée en amont de l'ensemble de refoulement.
- Les modèles de séries 957, 957RPDA, et LF957RPDA peuvent être installés en position horizontale, à motif « N » ou à motif « Z » tant que l'ensemble de refoulement est installé conformément au sens de la flèche de débit sur l'ensemble et que l'autorité locale responsable de l'eau approuve l'installation.
- L'ensemble doit être installé avec un dégagement adéquat autour de la soupape pour en permettre l'inspection, les tests et l'entretien. Veillez à ce qu'il y ait un dégagement minimum de 12 po (30,4 cm) entre la partie inférieure de l'assemblage et le plancher ou le sol. La soupape doit être protégée du gel. La soupape doit être protégée du gel.
- Il est déconseillé d'installer un dispositif anti-refoulement dans une fosse ou une cave.
- Les décharges, les nuisances et les rejets ordinaires sont pris en charge par l'usage d'un raccord à lame d'air et d'une conduite d'évacuation indirecte préfabriquée Watts. Un drain de sol de taille appropriée pour la décharge doit être installé en cas de décharge excessive. Pour plus d'informations, téléchargez ES-RVD pour connaître les débits de décharge de la soupape de décharge.
- Lors d'une installation avec passage d'air, fixez les supports de passage d'air directement sur le capteur d'inondation.
- Demandez à un technicien certifié de tester la série au moment de l'installation.

AVIS

Le corps de l'ensemble ne doit pas être peint.



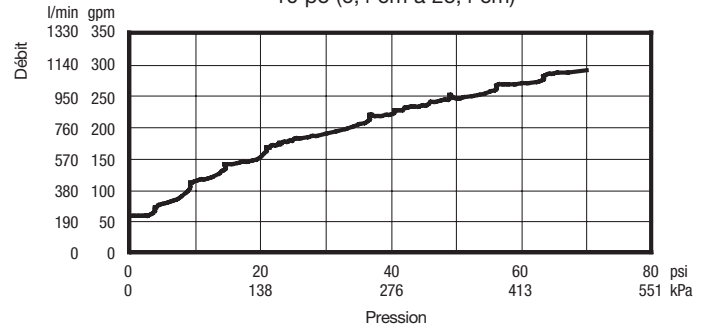
Installation horizontale



Motif N

Motif Z

Débits de refoulement de la soupape de décharge 2½ po – 10 po (6,4 cm à 25,4 cm)



Entretien des modules de clapet

2½ po – 6 po (6,4 cm à 15,2 cm)

Boîtier

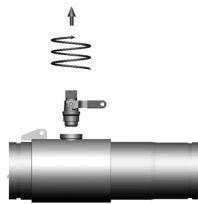


Figure A

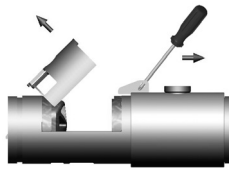


Figure B

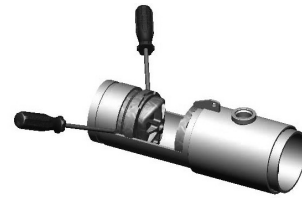


Figure C

Clapet n° 1



Figure D



Figure E



Figure F

Clapet n° 2

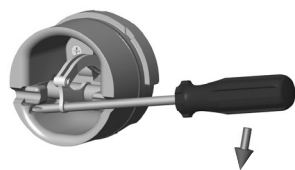


Figure D

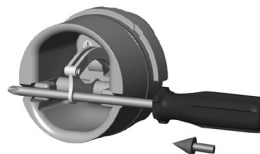


Figure E

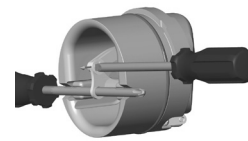


Figure F

⚠ AVERTISSEMENT

Avant de procéder à l'entretien d'une vanne Watts, il est obligatoire d'arrêter le système d'eau en fermant les robinets d'arrêt d'entrée et de sortie. Une fois les robinets d'arrêt fermés, ouvrir les robinets d'essai n° 2, n° 3 et n° 4 pour libérer la pression dans l'ensemble de refoulement.

- Après avoir ouvert le robinet d'essai n° 3 pour libérer la pression, retirez le robinet d'essai du boîtier. (Voir la figure A.)
- Insérez un tournevis n° 3 dans le trou sur le dessus du manchon de couvercle et, à l'aide des deux mains, tournez le manchon d'environ un quart de tour dans le sens horaire et un quart de tour dans le sens antihoraire pour briser les joints toriques du manchon. À l'aide du tournevis, faites glisser lentement le manchon du couvercle vers le côté aval du boîtier. (Voir la figure B.)
- Retirez le dispositif de retenue en acier inoxydable du boîtier. (Voir la figure B.)
- Retirez le module de clapet antiretour n° 1 en insérant deux tournevis à lame plate dans les fentes de chaque côté du module et en le soulevant doucement vers la zone ouverte. (Voir la figure C.)
- Répétez l'étape 4 pour retirer le module de clapet n° 2. (Pour l'entretien des clapets de 6 po [15,2 cm], voir les instructions d'entretien pour les tailles des vannes de 8 po à 10 po [20,3 cm à 25,4 cm].)
- Pour nettoyer ou inspecter l'un ou l'autre des modules antiretour, insérez un tournevis n° 3 dans le côté aval du module. (Voir les figures D et E.) Lorsque le tournevis est en place, retirez l'attache en E et la goupille qui relie les éléments structurels. (Voir la figure F.) Le clapet antiretour s'ouvre sans tension.
- Nettoyez soigneusement la zone des sièges. Le disque d'étanchéité peut être retiré, au besoin, en enlevant les vis qui relient l'armature au clapet. Inversez et réinstallez le disque d'étanchéité si l'élastomère est fendu ou endommagé.
- Lavez le module antiretour et le joint torique et inspectez-les pour déceler tout dommage. En cas de dommages, installez des pièces neuves.
- Après un nettoyage approfondi, lubrifiez le joint torique avec un lubrifiant approuvé par la FDA, remplacez la goupille et l'attache en E reliant les éléments structurels, retirez le tournevis et réinstallez les modules antiretour. Inversez l'ordre de ces étapes pour remonter les pièces et le boîtier.

Entretien des modules de clapet

8 – 10 po (20,3 cm à 25,4 cm)

Exigences relatives aux outils

- Tournevis cruciforme n° 3 ou tige de $\frac{5}{16}$ po (7,9 mm) de diamètre, de longueur suffisante pour couvrir le diamètre des clapets (voir les figures A et B).
- Boulon hexagonal entièrement fileté (boulon de service) de $\frac{1}{2}$ po (1,2 cm) – 13 x 5
- Clé à fourche ou à douille de $\frac{3}{4}$ po (1,9 cm)

Instructions

⚠ AVERTISSEMENT

Avant de procéder à l'entretien d'une vanne Watts, mettez le système d'eau à l'arrêt en fermant les robinets d'arrêt d'entrée et de sortie. Cette opération est obligatoire. Une fois les robinets d'arrêt fermés, ouvrez les robinets d'essai n° 2, n° 3 et n° 4 pour libérer la pression dans l'ensemble de refoulement.

1. Après avoir ouvert le robinet d'essai n° 3 pour libérer la pression, retirez le robinet d'essai du boîtier. (Lors de la réparation d'un dispositif de 8 po (20,3 cm) ou de 10 po (25,4 cm), retirez les deux coupleurs Victaulic du corps. Glissez le joint d'étanchéité du coupleur Victaulic en aval vers le côté aval du boîtier. Le joint d'étanchéité du coupleur Victaulic en amont reste en place.)
2. Retirez le ou les clapets à entretenir.
3. Repérez manuellement le trou d'entretien et vissez le boulon de service à la main jusqu'à ce qu'il entre en contact avec la tringlerie. (Voir la figure A.)
4. Continuez à visser le boulon de service avec la clé jusqu'à ce que le trou de service de la tringlerie soit aligné avec les encoches de service sur les arbres à ressort. (Voir la figure A.)
5. Insérez le tournevis cruciforme Phillips dans les arbres et le trou de service de la tringlerie en s'assurant que l'extrémité du tournevis dépasse les extrémités des arbres d'arrêt d'au moins $\frac{1}{4}$ po (6,3 mm). (Voir la figure B.)
6. Desserrez le boulon de service jusqu'à ce que la charge soit transférée au tournevis. Continuez à desserrer le boulon de service jusqu'à ce qu'il y ait suffisamment d'espace pour retirer le mécanisme à ressort complet.
7. Pour débrancher la tringlerie, retirez l'agrafe et la goupille de retenue. Rangez les deux articles dans un endroit sûr en vue de la réinstallation.
8. Pour retirer le mécanisme à ressort, saisissez le tournevis au centre et tirez l'ensemble complet tout droit et rangez-le dans un endroit sûr.
9. Inversez l'ordre de ces étapes pour remonter les pièces et le boîtier.

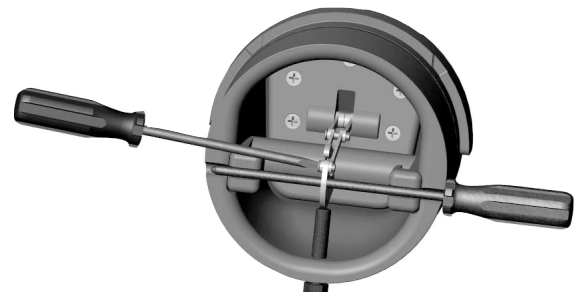
⚠ AVERTISSEMENT

Ne retirez jamais le tournevis hors des encoches de support sur les arbres d'arrêt alors que le mécanisme à ressort est retiré. Cela pourrait entraîner des blessures corporelles.

Figure A



Figure B



Entretien de la soupape de décharge

⚠ AVERTISSEMENT

Avant de procéder à l'entretien de la soupape de décharge, il est obligatoire d'arrêter le système d'eau en fermant les robinets d'arrêt d'entrée et de sortie et de libérer la pression dans l'ensemble en ouvrant les robinets d'essai n° 2, n° 3 et n° 4.

NE RETIREZ PAS LA BAGUE « ARAIGNÉE » POUR L'ENTRETIEN

1. Détachez le module d'activation, le cas échéant, du capteur d'inondation.
2. Utilisez un tournevis cruciforme n° 2 pour retirer le capteur de la soupape de décharge.
3. Débranchez le tuyau du couvercle inférieur de la soupape de décharge.
4. Un joint torique scelle le corps de la soupape de décharge au boîtier principal. Le raccord ne doit pas être trop serré (serrage à la main uniquement). Desserrez la vanne de décharge à la main pour la retirer, puis dévissez la vanne de décharge du boîtier.
5. Retirez le couvercle de la soupape de décharge en retirant les quatre vis de rétention.
6. Retirez la membrane en caoutchouc de la soupape de décharge. Notez la configuration du diaphragme pour le réinstaller de la même manière. La languette en caoutchouc dur de la membrane s'insère dans une emboîture similaire dans la tête du piston. (Voir la figure A.)
7. Tenez la soupape de décharge des deux mains avec l'extrémité fileté vers le haut et les deux pouces sur la tête du piston. Poussez le piston vers le haut jusqu'à ce que l'arbre du piston avec l'attache en E soit exposé. Retirez l'attache en E. (Voir la figure B.)
8. Retirez le piston et le ressort du corps de la soupape de décharge et nettoyez soigneusement toutes les pièces, y compris la membrane. Inspectez toutes les pièces en caoutchouc et remplacez celles qui sont endommagées.
9. Inversez l'ordre de ces étapes pour remonter les pièces et le boîtier.

Figure A

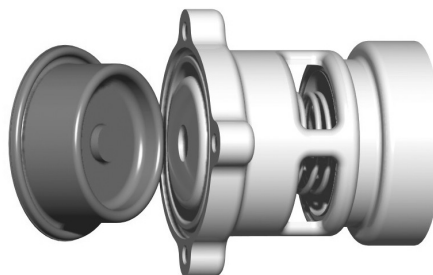
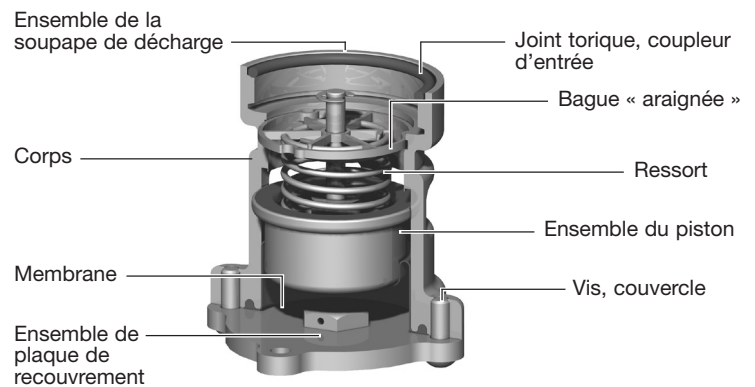
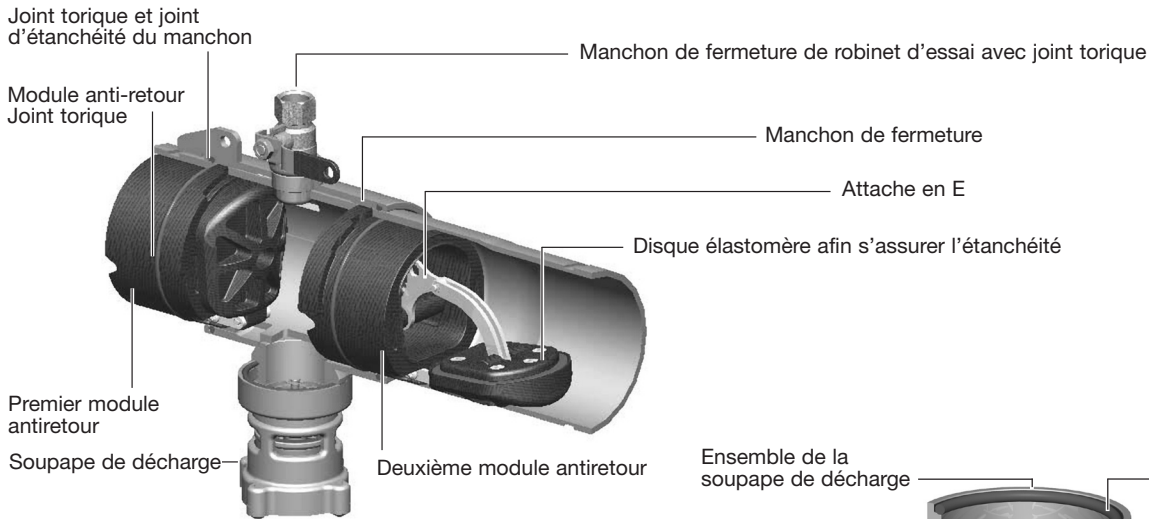


Figure B



Pièces





Pour les trousse de réparation et les pièces, reportez-vous à la liste de prix des trousse de réparation et des pièces de rechange pour les produits anti-refoulement PL-RP-BPD sur le site www.watts.com.



Dépannage

SYMPTÔME	CAUSE	SOLUTION
La soupape de décharge évacue l'eau lorsque le système ne s'écoule pas	Le clapet antiretour n° 1 est encrassé	Retirez et nettoyez le clapet n° 1
	La soupape de décharge ne se ferme pas correctement	Procédez à l'entretien de la soupape de décharge
	La pression d'eau municipale fluctue	Installez le clapet antiretour en amont de l'ensemble de refoulement
La soupape de décharge ne s'arrête pas correctement	Siège de soupape de décharge encrassé	Procédez à l'entretien de la soupape de décharge
	Membrane mal installée	Retirez la membrane et installez-la correctement
	Surface en caoutchouc endommagée sur le piston	Remplacez par un piston neuf
	Tuyau de pression endommagé ou bouché	Remplacez ou débouchez le tuyau de pression

Trousse de connexion de capteur complémentaire et de modernisation pour les systèmes de gestion de bâtiment

N° DE PIÈCE	TROUSSE COMPLÉMENTAIRE/DE MODERNISATION	DESCRIPTION
88009418	 <p>FP-BF-BMS Trousse de connexion de capteur BMS Série 957, 957RPDA, LF957RPDA Série 994, 994RPDA Tailles 2½ po à 10 po (6,3 cm à 24,4 cm)</p>	Comprend un module d'activation de capteur avec câble, un fil de mise à la terre, et un adaptateur d'alimentation. Utilisez cette trousse pour activer le capteur d'inondation et activer la fonctionnalité de détection des inondations sur la soupape de décharge lors d'une nouvelle installation avec contrôleur BMS (non inclus).
88009419	 <p>FP-RFK-BF-BMS-CFS Trousse de connexion de mise à niveau de capteur BMS Série 957, 957RPDA, LF957RPDA Série 994, 994RPDA Tailles 2½ po à 10 po (6,3 cm à 24,4 cm)</p>	Comprend un capteur d'inondation, un module d'activation de capteur avec câble, un fil de mise à la terre, et un adaptateur d'alimentation. Utilisez cette trousse pour ajouter des capacités de détection des inondations à la soupape de décharge d'une installation existante avec contrôleur BMS (non inclus).

Trousse de connexion de capteur complémentaire et de modernisation pour communication cellulaire

N° DE PIÈCE	TROUSSE COMPLÉMENTAIRE/DE MODERNISATION	DESCRIPTION
88009420	 <p>FP-BF-CFS Trousse de connexion de capteur cellulaire Série 957, 957RPDA, LF957RPDA Série 994, 994RPDA Tailles 2½ po à 10 po (6,3 cm à 24,4 cm)</p>	Comprend un module d'activation de capteur avec câble, une passerelle cellulaire avec trousse de montage, un fil de mise à la terre, et un adaptateur d'alimentation. Utilisez cette trousse pour activer le capteur d'inondation et activer la fonctionnalité de détection des inondations sur la soupape de décharge lors d'une nouvelle installation avec réseau cellulaire pour envoi d'alertes par message par courriel, message texte ou appel vocal.
88009421	 <p>FP-RFK-BF-CFS Trousse de connexion de mise à niveau de capteur cellulaire Série 957, 957RPDA, LF957RPDA Série 994, 994RPDA Tailles 2½ po à 10 po (6,3 cm à 24,4 cm)</p>	Comprend un capteur d'inondation, un module d'activation de capteur avec câble, une passerelle cellulaire avec trousse de montage, un fil de mise à la terre, et un adaptateur d'alimentation. Utilisez cette trousse pour installer le capteur d'inondation intégré et activer la fonctionnalité de détection des inondations sur la soupape de décharge lors d'une installation existante avec réseau cellulaire pour envoi d'alertes par message par courriel, message texte ou appel vocal.

Garantie limitée : Watts (la « Société ») garantit que chacun de ses produits est exempt de vice de matériau et de fabrication dans des conditions normales d'utilisation pour une période d'un an à compter de la date d'expédition d'origine. Si une telle défaillance devait se produire au cours de la période sous garantie, la Société pourra, à sa discrétion, remplacer le produit ou le remettre en état, sans frais. **LA PRÉSENTE GARANTIE EST DONNÉE EXPRESSÉMENT ET CONSTITUE LA SEULE GARANTIE DONNÉE PAR LA SOCIÉTÉ EN CE QUI CONCERNE LE PRODUIT. LA SOCIÉTÉ NE FORMULE AUCUNE AUTRE GARANTIE, EXPRESSE OU IMPLICITE. LA SOCIÉTÉ DÉCLINE AUSSI FORMELLEMENT PAR LA PRÉSENTE TOUTE AUTRE GARANTIE, EXPRESSE OU IMPLICITE, Y COMPRIS, SANS S'Y LIMITER, LES GARANTIES IMPLICITES DE QUALITÉ MARCHANDE ET D'APTITUDE À UN USAGE PARTICULIER.**

Le dédommagement précisé dans le premier paragraphe de cette garantie constitue la seule et unique alternative en cas de service demandé au titre de cette garantie et la Société ne pourra être tenue responsable de dommages spéciaux ou indirects, incluant, sans s'y limiter : pertes de profit, coûts de réparation ou de remplacement des autres biens ayant été endommagés si ce produit ne fonctionne pas correctement, autres coûts afférents aux frais de main-d'œuvre, de retards, de vandalisme, de négligence, d'engorgement causés par des corps étrangers, de dommages causés par des propriétés de l'eau défavorables, des produits chimiques ou toute autre circonstance indépendante de la volonté de la Société. La présente garantie est déclarée nulle et non avenue en cas d'usage abusif ou incorrect, d'application, d'installation ou d'entretien incorrects ou de modification du produit.

Certains États n'autorisent pas les limitations de durée d'une garantie tacite, ni l'exclusion ou la limitation des dommages accessoires ou indirects. En conséquence, les limitations susmentionnées pourraient ne pas s'appliquer à votre cas. Cette garantie limitée vous confère des droits spécifiques reconnus par la loi; vous pourriez également avoir d'autres droits, lesquels varient d'un État à l'autre. Vous devez donc prendre connaissance des lois étatiques applicables pour déterminer vos droits. **LA DURÉE DE TOUTE GARANTIE IMPLICITE PRÉVUE PAR LA LOI EN APPLICATION ET DEVANT DONC ÊTRE ASSUMÉE, Y COMPRIS LES GARANTIES IMPLICITES DE QUALITÉ MARCHANDE ET D'APTITUDE À UN USAGE PARTICULIER, SERA LIMITÉE À UN AN À PARTIR DE LA DATE DE L'EXPÉDITION D'ORIGINE.**



É.-U. : Tél. : (978) 689-6066 • Watts.com

Canada : Tél. : (888) 208-8927 • Watts.ca

Amérique latine : Tél. : (52) 55-4122-0138 • Watts.com

Manual de instalación, mantenimiento y reparación

Serie 957, 957RPDA, LF957RPDA

Válvulas antirretorno de principio de presión reducida
Conjuntos de detectores de presión reducida

2½" a 10" (6.35 a 25.4 cm)

⚠ ADVERTENCIA



Lea este manual ANTES de utilizar este equipo.
No leer ni seguir toda la información de seguridad y uso puede provocar la muerte, lesiones físicas graves, daños a la propiedad o al equipo.



Guarde este manual para futuras consultas.

⚠ ADVERTENCIA

Los reglamentos locales de construcción o plomería pueden requerir modificaciones a la información proporcionada. Debe consultar los reglamentos locales de construcción y plomería antes de realizar la instalación. Si la información proporcionada aquí no coincide con los reglamentos locales de construcción o plomería, se deben seguir los reglamentos locales. Un contratista con licencia debe instalar este producto de acuerdo con los reglamentos y las disposiciones locales.

⚠ ADVERTENCIA

Se requiere inspección y mantenimiento periódicos: Este producto se debe probar periódicamente de conformidad con los reglamentos locales y al menos una vez al año o más, según lo requieran las condiciones de servicio. Todos los productos deben volver a probarse una vez que se haya realizado el mantenimiento. Las condiciones corrosivas del agua y/o los ajustes o reparaciones no autorizados podrían hacer que el producto sea ineficaz para el servicio previsto. La verificación y limpieza regular de los componentes internos y externos del producto ayudan a garantizar la máxima vida útil y el funcionamiento adecuado del producto.

⚠ ADVERTENCIA

Este dispositivo se debe probar periódicamente de conformidad con los reglamentos locales y al menos una vez al año o más, según lo requieran las condiciones de servicio. Si se instala en un sistema de rociadores contra incendios, todas las verificaciones mecánicas, como la verificación de alarmas y los inhibidores de reflujos deben probarse con flujo e inspeccionarse internamente de acuerdo con las normas NFPA 13 y NFPA 25.

⚠ ADVERTENCIA

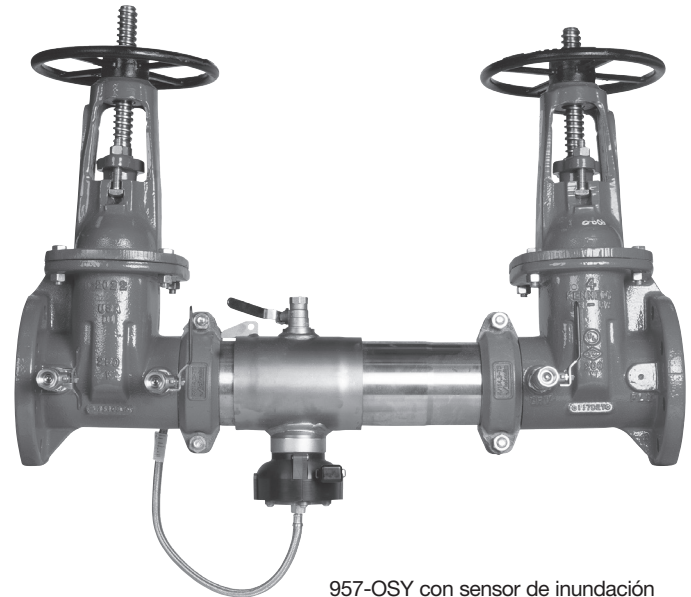
No impida ni evite el movimiento de la funda instalando abrazaderas de elevación de base u otros elementos de obstrucción sobre o alrededor de la funda. Se requiere el movimiento de la funda para realizar el mantenimiento del contraflujo.

Pruebas

Para el procedimiento de prueba de campo, consulte las hojas de instalación IS-TK-DL, IS-TK-9A, IS-TK-99E e IS-TK-99D de Watts en www.watts.com.

Para Australia, consulte la norma australiana AS/NZS 2845.3.

Para obtener asistencia técnica, póngase en contacto con su representante local de Watts.



957-OSY con sensor de inundación

Las series 957, 957RPDA y LF957RPDA incluyen un sensor de inundación en la válvula de alivio para detectar la descarga excesiva y activar la notificación de posibles eventos de inundación.

AVISO

Se requiere un kit de conexión de complemento para activar el sensor de inundación. Sin el kit de conexión, el sensor es un componente pasivo sin comunicación con ningún otro dispositivo. (También está disponible un kit de conexión de retroadaptación para instalaciones existentes. Consulte "Kits de conexión de sensores de complemento y retroadaptación" para obtener detalles de pedido).

AVISO

El uso del sensor de inundación no sustituye la necesidad de cumplir con todas las instrucciones, códigos y regulaciones requeridas relacionadas con la instalación, el funcionamiento y el mantenimiento de este producto, incluida la necesidad de proporcionar un drenaje adecuado en caso de una descarga.

Watts no es responsable de la falla de las alertas debido a problemas de conectividad, cortes de energía o instalación incorrecta.

AVISO

Para Australia y Nueva Zelanda: Los filtros de tuberías deben instalarse entre la válvula de cierre aguas arriba y la entrada del inhibidor de reflujos.

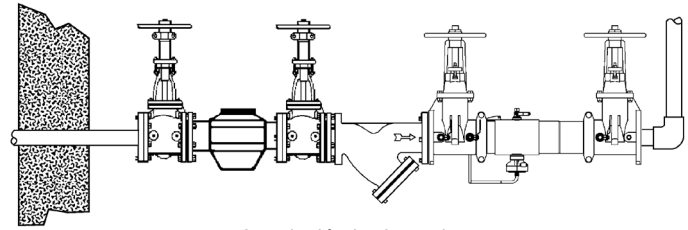
Los accesorios como conectores finales destinados a unir sistemas de tuberías alternativos hechos de otros materiales (como plásticos) también deben cumplir con los requisitos dimensionales y de rendimiento relevantes del estándar australiano, neozelandés o conjunto australiano-neozelandés para el sistema de tuberías alternativo.

Pautas de instalación

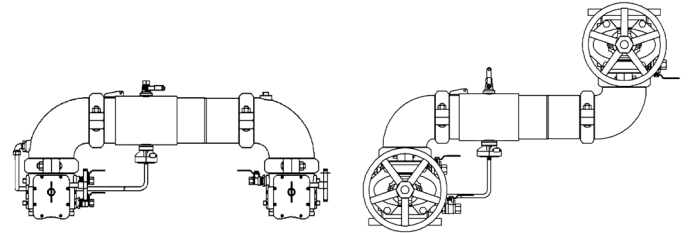
- La mayor parte de los problemas de campo se producen porque hay suciedad y residuos presentes en el sistema en el momento de la instalación y quedan atrapados en el No. 1. El sistema debe lavarse antes de instalar la válvula de reflujo. Si el sistema no se lava hasta después de instalar la válvula de flujo de retorno, retire ambos módulos de retención de la válvula y abra el cierre de entrada para permitir que el agua fluya durante un tiempo suficiente para limpiar los residuos de la línea de agua. Si los residuos del sistema de agua siguen causando suciedad, se puede instalar un filtro aguas arriba del conjunto de flujo de retorno.
- Las series 957, 957RPDA y LF957RPDA se pueden instalar en posición horizontal, patrón "N" o patrón "Z" siempre que el conjunto de flujo de retorno se instale de acuerdo con la dirección de la flecha de flujo en el conjunto y la autoridad local de agua apruebe la instalación.
- El conjunto debe instalarse con una holgura adecuada alrededor de la válvula para permitir la inspección, las pruebas y el mantenimiento. Asegure un espacio libre mínimo de 12" (30.4 cm) entre la parte inferior del conjunto y el suelo o la compuerta. La válvula debe protegerse de la congelación. La válvula debe protegerse de la congelación.
- No se recomienda instalar un dispositivo de prevención de flujo de retorno en un pozo o bóveda.
- La descarga normal y las molestas salpicaduras se solucionan mediante el uso de un accesorio de espacio de aire Watts y una línea de residuos indirecta fabricada. En caso de descarga excesiva, se debe proporcionar un drenaje del suelo del tamaño adecuado para la descarga. Para obtener más información, descargue ES-RVD para las velocidades de descarga de la válvula de alivio.
- Al instalar un espacio de aire, fije los soportes del espacio de aire directamente en el sensor de inundación.
- Haga que un técnico certificado haga pruebas en la serie al momento de la instalación.

AVISO

El cuerpo del conjunto no debe pintarse.



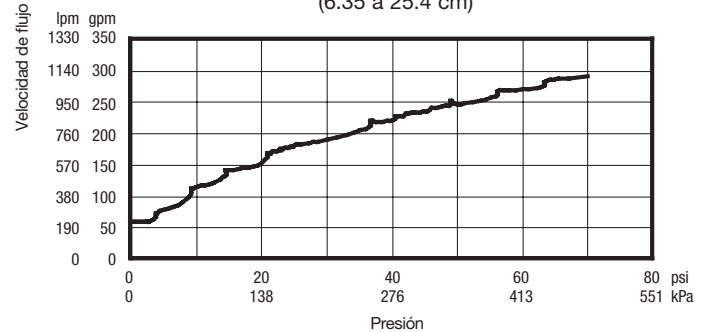
Instalación horizontal



Patrón N

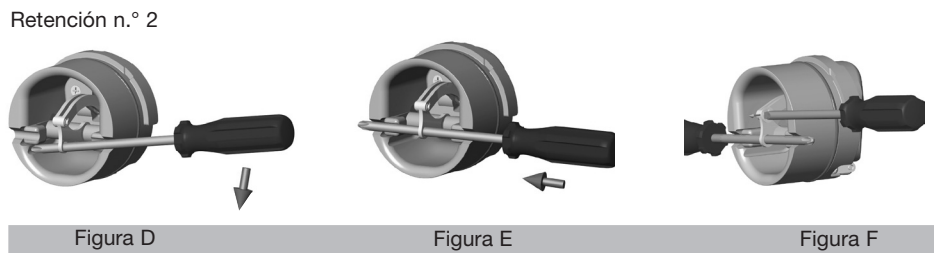
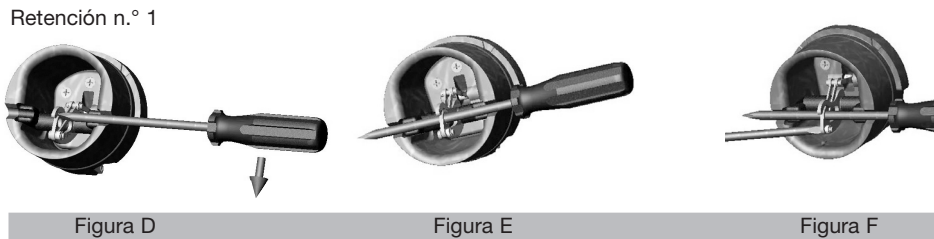
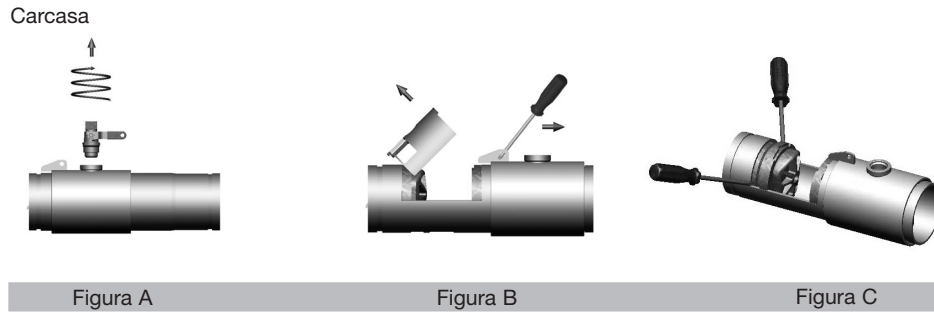
Patrón Z

Velocidades de descarga de la válvula de alivio 2 1/2" - 10"
(6.35 a 25.4 cm)



Mantenimiento de los módulos de retención

2½" – 6" (6.35 a 15.2 cm)



⚠ ADVERTENCIA

Antes de realizar el mantenimiento de cualquier válvula de Watts, es obligatorio suspender el sistema de agua cerrando las válvulas de cierre de entrada y salida. Después de cerrar las válvulas de cierre, abra las llaves de prueba n.º 2, n.º 3 y n.º 4 para liberar la presión dentro del conjunto de flujo de retorno.

1. Después de abrir la llave de prueba n.º 3 para liberar la presión, retire la llave de prueba de la carcasa. (Consulte la Figura A.)
2. Inserte un destornillador n.º 3 a través del orificio de la parte superior del manguito de cubierta y, con ambas manos, gire el manguito de cubierta aproximadamente un cuarto de vuelta en sentido horario y un cuarto de vuelta en sentido antihorario para romper las juntas tóricas del manguito. Con el destornillador, deslice lentamente el manguito de cubierta hacia el lado aguas abajo de la carcasa. (Consulte la Figura B).
3. Retire el sujetador de retención de acero inoxidable de la carcasa. (Consulte la Figura B).
4. Retire el módulo de retención n.º 1 insertando dos destornilladores de punta plana en las ranuras a ambos lados del módulo de retención y haga palanca suavemente en el módulo de retención hacia la zona abierta. (Consulte la Figura C).
5. Repita el Paso 4 para retirar el módulo de retención n.º 2. (Para ver las retenciones de 6" (15.2 cm), consulte las instrucciones de mantenimiento para los tamaños de válvulas de 8" a 10" [20.3 cm a 25.4 cm].)
6. Para limpiar o inspeccionar cualquiera de los módulos de retención, inserte un destornillador n.º 3 a través del lado aguas abajo del módulo de retención. (Consulte las figuras D y E). Cuando el destornillador esté colocado, retire el clip E y el pasador que conectan los elementos estructurales. (Consulte la Figura F). La pinza de retención se abre sin tensión.
7. Limpie a fondo la zona del asiento. El disco de sellado puede retirarse, si es necesario, retirando los tornillos que conectan la placa de sujeción a la pinza. Invierta y vuelva a instalar el disco de sellado si el elastómero está cortado o dañado.
8. Lave el módulo de retención y la junta tórica e inspeccione si hay daños. Si está dañado, vuelva a instalar las piezas nuevas.
9. Después de una limpieza exhaustiva, lubrique la junta tórica con un lubricante aprobado por la FDA, sustituya el pasador y el clip E en los elementos estructurales, retire el destornillador y vuelva a instalar los módulos de retención. Invierta el orden de estos pasos para reensamblar las piezas y la carcasa.

Mantenimiento de los módulos de retención

8" – 10" (20.3 cm a 25.4 cm)

Requisitos de la herramienta

- Destornillador Phillips No 3 o varilla de $\frac{5}{16}$ " (7.9 mm) de diámetro, longitud suficiente para abarcar el diámetro de las retenciones (consulte las figuras A y B).
- Perno hexagonal totalmente roscado de $\frac{1}{2}$ " (1.2 cm) – 13 x 5 (perno de servicio)
- Llave de tubo o de extremo abierto de $\frac{3}{4}$ " (1.9 cm)

Instrucciones

⚠ ADVERTENCIA

Antes de realizar el mantenimiento de cualquier válvula de Watts, suspenda el sistema de agua cerrando las válvulas de cierre de entrada y salida. Esto es obligatorio. Después de cerrar las válvulas de cierre, abra las llaves de prueba No 2, No 3 y No 4 para liberar la presión dentro del conjunto de flujo de retorno.

1. Después de abrir la llave de prueba No 3 para liberar la presión, retire la llave de prueba de la carcasa. (Cuando repare un dispositivo de 8" [20.3 cm] o 10" [25.4 cm], retire ambos acopladores Victaulic del cuerpo. Deslice la junta del acoplador Victaulic descendente hacia el lado descendente de la carcasa. La junta del acoplador Victaulic ascendente permanece en su lugar).
2. Retire las retenciones a las que se dará mantenimiento.
3. Localice el orificio de servicio y enrosque a mano el perno de servicio hasta que entre en contacto con el acoplamiento. (Consulte la Figura A.)
4. Continúe enroscando el perno de servicio con la llave hasta que el orificio de servicio del acoplamiento esté alineado con las muescas de servicio de los ejes del resorte. (Consulte la Figura A.)
5. Inserte el destornillador Phillips a través de los ejes y del orificio de servicio del acoplamiento, asegurándose de que la punta del destornillador se extienda más allá de los extremos de los ejes un mínimo de $\frac{1}{4}$ " (6.3 mm). (Consulte la Figura B.)
6. Afloje el perno de servicio hasta que la carga se transfiera al destornillador. Siga aflojando el perno de servicio hasta que haya suficiente espacio libre para retirar el mecanismo del resorte completo.
7. Para desconectar el acoplamiento, retire el clip de retención y el pasador. Guarde ambos elementos en un lugar seguro para su reinstalación.
8. Para retirar el mecanismo del resorte, sujete el destornillador por el centro, tire del conjunto completo hacia afuera y guárdelo en un lugar seguro.
9. Invierta el orden de estos pasos para reensamblar las piezas y la carcasa.

⚠ ADVERTENCIA

Mientras se retira el mecanismo de resorte, nunca tire del destornillador hacia fuera o fuera de las muescas de soporte de los ejes. Hacerlo puede causar lesiones corporales.

Figura A

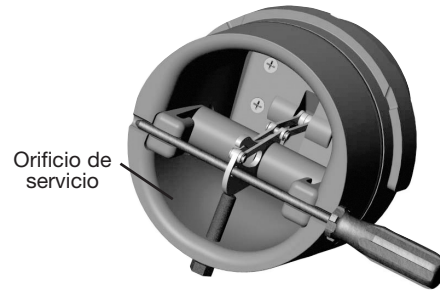
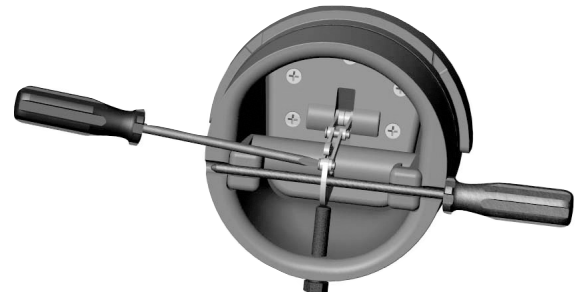


Figura B



Mantenimiento de la válvula de alivio

⚠ ADVERTENCIA

Antes de realizar el mantenimiento de la válvula de alivio, es obligatorio apagar el sistema de agua cerrando las válvulas de cierre de entrada y salida y aliviando la presión dentro del conjunto abriendo las llaves de prueba No 2, No 3 y No 4.

NO RETIRE EL CASQUILLO ARAÑA PARA REALIZAR TAREAS DE MANTENIMIENTO

1. Desconecte el módulo de activación, si está instalado, del sensor de inundación.
2. Utilice un destornillador Phillips No 2 para retirar el sensor de la válvula de alivio.
3. Desconecte la manguera de la placa de la cubierta inferior a la válvula de alivio.
4. Una junta tórica sella el cuerpo de la válvula de alivio a la carcasa principal. Evite apretar la conexión más allá del apretado manual firme. Afloje la válvula de alivio con la mano para retirarla y luego desenrosque la válvula de alivio de la carcasa.
5. Retire la placa de cubierta de la válvula de alivio retirando los cuatro tornillos de conexión.
6. Retire el diafragma de goma de la válvula de alivio. Observe cómo se configura el diafragma para reinstalarlo de la misma manera. La lengüeta de goma dura del diafragma encaja en un conector similar en la cabeza del pistón. (Consulte la Figura A.)
7. Sujete la válvula de alivio con ambas manos con el extremo roscado hacia arriba y ambos pulgares en la cabeza del pistón. Empuje hacia arriba el pistón hasta que el eje del pistón con el clip E acoplado quede expuesto. Retire el clip E. (Consulte la Figura B).
8. Retire el pistón y el resorte de la carcasa de la válvula de alivio y limpie a fondo todas las piezas, incluido el diafragma. Inspeccione todas las piezas de goma y reemplace las que estén dañadas.
9. Invierta el orden de estos pasos para reensamblar las piezas y la carcasa.

Figura A

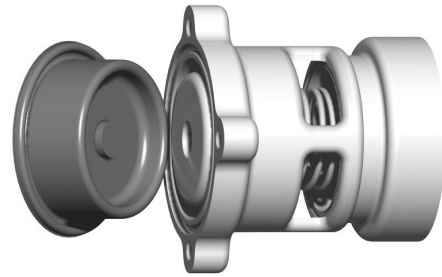
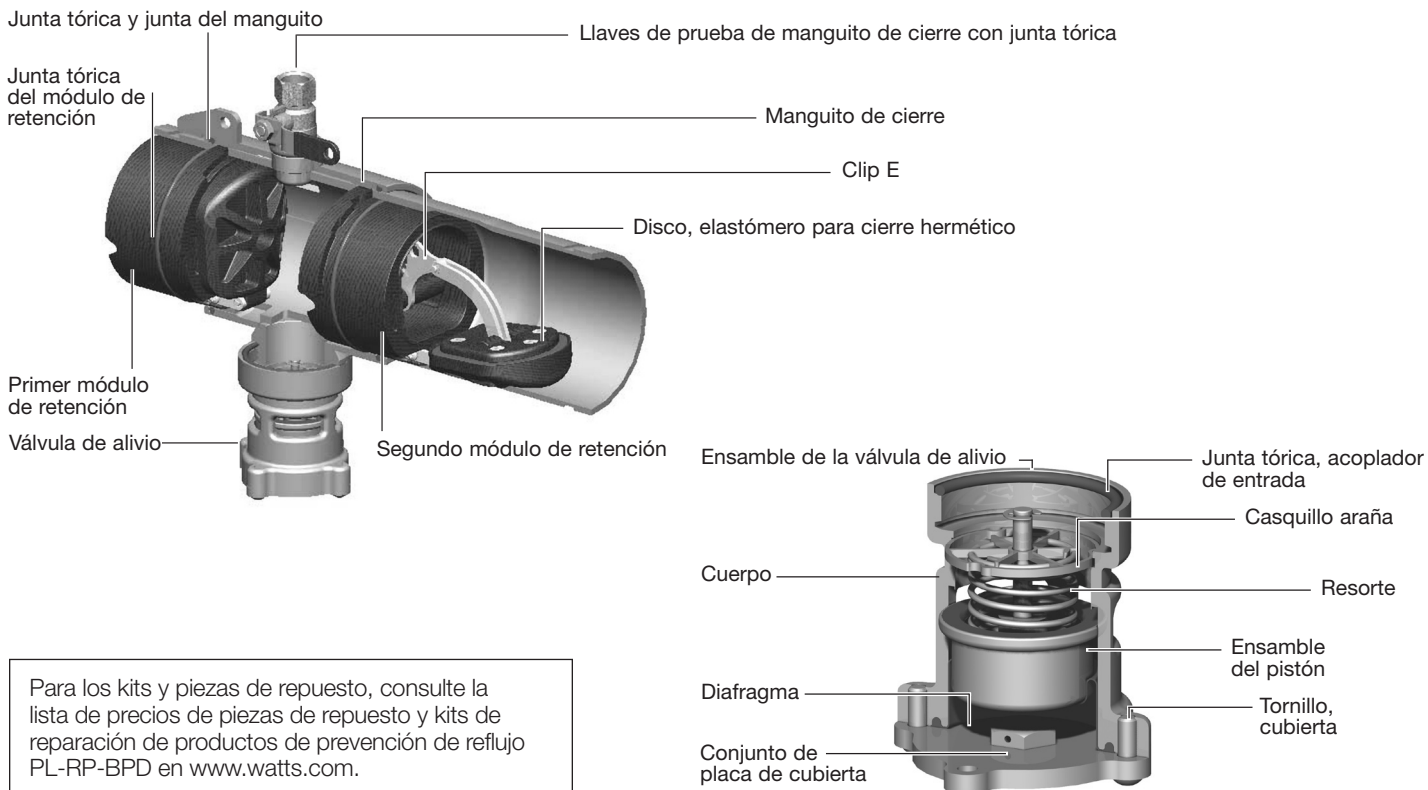


Figura B





Piezas





Solución de problemas

SÍNTOMA	CAUSA	SOLUCIÓN
La válvula de alivio descarga agua mientras el sistema no fluye	La retención n.º 1 está sucia	Retire y limpie la retención n.º 1
	La válvula de alivio no se cierra correctamente	Dé mantenimiento a la válvula de alivio
	La presión del agua municipal fluctúa	Instale la válvula de retención aguas arriba del ensamble de flujo de retorno
La válvula de alivio no se cierra correctamente	Asiento de válvula de alivio sucio	Dé mantenimiento a la válvula de alivio
	Diafragma instalado incorrectamente	Retire el diafragma e instélelo correctamente
	Superficie de goma dañada en el pistón	Sustituya por un pistón nuevo
	Manguera de presión dañada u obstruida	Sustituya o despeje la manguera de presión

Kits de conexión de sensor de complemento y retroadaptación para sistemas de gestión de edificios

NÚMERO DE PARTE	KIT ADICIONAL/RETROADAPTACIÓN	DESCRIPCIÓN
88009418	 <p>FP-BF-BMS Kit de conexión del sensor BMS Serie 957, 957RPDA, LF957RPDA Serie 994, 994RPDA Tamaños de 2½" a 10" (6.3 cm a 25.4 cm)</p>	Incluye un módulo de activación del sensor con cable, cable de tierra y adaptador de corriente. Utilice este kit para activar el sensor de inundación y habilitar las capacidades de detección de inundaciones en la válvula de alivio de una nueva instalación conectada a un controlador BMS (no incluido).
88009419	 <p>FP-RFK-BF-BMS-CFS Kit de conexión de retroadaptación del sensor BMS Serie 957, 957RPDA, LF957RPDA Serie 994, 994RPDA Tamaños de 2½" a 10" (6.3 cm a 25.4 cm)</p>	Incluye sensor de inundación, módulo de activación del sensor con cable, cable de tierra y adaptador de corriente. Utilice este kit para instalar el sensor de inundación y habilitar las capacidades de detección de inundaciones en la válvula de alivio de una instalación existente vinculada a un controlador BMS (no incluido).

Kits de conexión de sensores adicionales y de retroadaptación para la comunicación celular

NÚMERO DE PARTE	KIT ADICIONAL/RETROADAPTACIÓN	DESCRIPCIÓN
88009420	 <p>FP-BF-CFS Kit de conexión del sensor celular Serie 957, 957RPDA, LF957RPDA Serie 994, 994RPDA Tamaños de 2½" a 10" (6.3 cm a 25.4 cm)</p>	Incluye un módulo de activación de sensor con cable, puerta de enlace celular con kit de montaje, adaptador de corriente y cable de tierra. Utilice este kit para activar el sensor de inundación y habilitar las capacidades de detección de inundaciones en la válvula de alivio de una nueva instalación vinculada a una red celular para enviar alertas por correo electrónico, mensaje de texto SMS o llamada de voz.
88009421	 <p>FP-RFK-BF-CFS Kit de conexión de retroadaptación del sensor celular Serie 957, 957RPDA, LF957RPDA Serie 994, 994RPDA Tamaños de 2½" a 10" (6.3 cm a 25.4 cm)</p>	Incluye sensor de inundación, módulo de activación de sensor con cable, puerta de enlace celular con kit de montaje, adaptador de corriente y cable de tierra. Utilice este kit para instalar el sensor de inundación y habilitar las capacidades de detección de inundaciones en la válvula de alivio de una instalación existente vinculada a una red celular para enviar alertas por correo electrónico, mensaje de texto SMS o llamada de voz.

Garantía limitada: Watts (la "Compañía") garantiza que cada producto está libre de defectos en los materiales y la mano de obra en condiciones de uso normal durante el período de un año a partir de la fecha de envío original. En caso de que tales defectos se presenten dentro del período de garantía, la Compañía, a su criterio, reemplazará o reacondicionará el producto sin cargo alguno.

LA GARANTÍA ESTABLECIDA EN ESTE DOCUMENTO SE OTORGA EXPRESAMENTE Y ES LA ÚNICA GARANTÍA OTORGADA POR LA COMPAÑÍA CON RESPECTO AL PRODUCTO. LA COMPAÑÍA NO OTORGA NINGUNA OTRA GARANTÍA, EXPRESA NI IMPLÍCITA. POR ESTE MEDIO, LA COMPAÑÍA RENUNCIA ESPECÍFICAMENTE A TODAS LAS DEMÁS GARANTÍAS, EXPRESAS O IMPLÍCITAS, INCLUIDAS, ENTRE OTRAS, LAS GARANTÍAS IMPLÍCITAS DE COMERCIABILIDAD E IDONEIDAD PARA UN PROPÓSITO EN PARTICULAR.

El recurso descrito en el primer párrafo de esta garantía constituirá el único y exclusivo recurso por incumplimiento de la garantía, y la Compañía no será responsable de ningún daño incidental, especial o consecuente, incluidos, entre otros, la pérdida de ganancias o el costo de reparación o reemplazo de otros bienes dañados si este producto no funciona correctamente, otros costos resultantes de cargos laborales, retrasos, vandalismo, negligencia, contaminación causada por materiales extraños, daños por condiciones adversas del agua, productos químicos o cualquier otra circunstancia sobre la cual la Compañía no tenga control. Esta garantía quedará anulada por cualquier abuso, uso indebido, aplicación incorrecta, instalación o mantenimiento inadecuados o alteración del producto. Algunos estados no permiten limitaciones respecto a la duración de una garantía implícita, y algunos estados no permiten la exclusión o limitación de daños incidentales o consecuentes. Por lo tanto, las limitaciones anteriores pueden no aplicarse a usted. Esta garantía limitada le otorga derechos legales específicos y es posible que tenga otros derechos que varían de un estado a otro. Debe consultar las leyes estatales vigentes para determinar sus derechos. **EN LA MEDIDA QUE SEA CONSISTENTE CON LAS LEYES ESTATALES VIGENTES, CUALQUIER GARANTÍA IMPLÍCITA QUE PUEDA NO SER RENUNCIADA, INCLUYENDO LAS GARANTÍAS IMPLÍCITAS DE COMERCIABILIDAD E IDONEIDAD PARA UN PROPÓSITO PARTICULAR, TIENEN UNA DURACIÓN LIMITADA A UN AÑO A PARTIR DE LA FECHA DE ENVÍO ORIGINAL.**



EE. UU.: T: (978) 689-6066 • Watts.com

Canadá: T: (888) 208-8927 • Watts.ca

América Latina: T: (52) 55-4122-0138 • Watts.com