

## Engineering Specification

Job Name \_\_\_\_\_  
 Job Location \_\_\_\_\_  
 Engineer \_\_\_\_\_  
 Approval \_\_\_\_\_

Contractor \_\_\_\_\_  
 Approval \_\_\_\_\_  
 Contractor's P.O. No. \_\_\_\_\_  
 Representative \_\_\_\_\_  
 SKU \_\_\_\_\_

# LEAD FREE\*

## Hi-PSI Flex Steam Connectors

1/2" to 1"

Dormont LEAD FREE\* Hi-PSI Flex steam connectors provide long, trouble-free service life—and permit quick, safe connection of steam lines to moveable/ castered and stationary foodservice equipment. Use with utility distribution systems, steam kettles, steam tables, combi-ovens and other foodservice equipment requiring steam input.

### Features

- Tubing                    Annealed, corrugated 304 stainless steel
- Braiding                 Multi-strand, stainless steel wire
- Flare Nuts               Brass
- Flare Adapters         Brass with nickel plating
- Coating                 Orange Silicon Coated Fiberglass Sleeve
- Optional Double Shut-off Quick Disconnect  
                               Stainless Steel ISO 7241-1, Series B coupling and nipple both valved to prevent steam flow when disconnected

### Specification

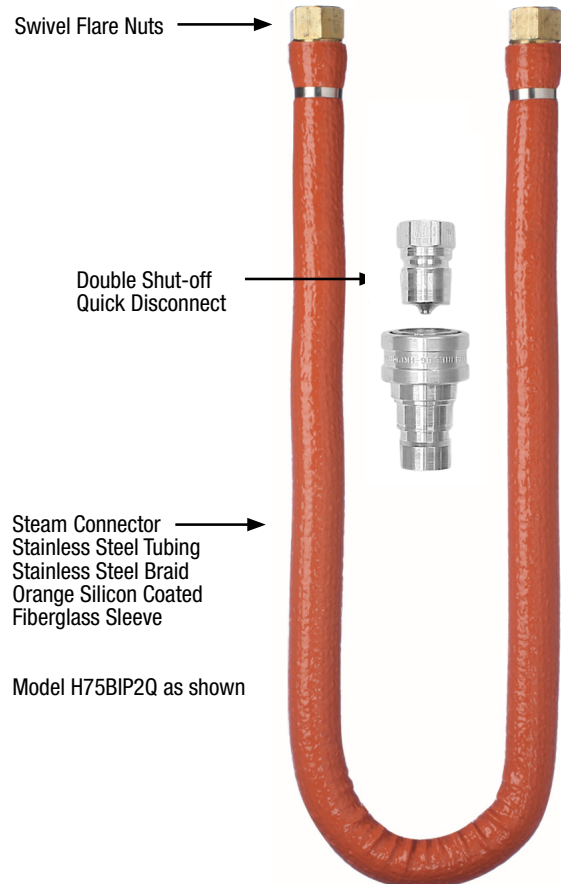
- Pressure                 125psi MAX
- Temperature            Steam 500°F MAX (260°C)

### Approvals & Certifications

NSF/ANSI/CAN 372 - Drinking Water System Components - Lead Content



Flare Adapters



Swivel Flare Nuts

Double Shut-off Quick Disconnect

Steam Connector  
 Stainless Steel Tubing  
 Stainless Steel Braid  
 Orange Silicon Coated  
 Fiberglass Sleeve

Model H75BIP2Q as shown

### NOTICE

The information contained herein is not intended to replace the full product installation and safety information available or the experience of a trained product installer. You are required to thoroughly read all installation instructions and product safety information before beginning the installation of this product.

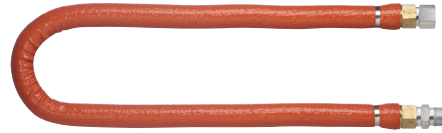
\*The wetted surface of this product contacted by consumable water contains less than 0.25% of lead by weight.

Dormont product specifications in U.S. customary units and metric are approximate and are provided for reference only. For precise measurements, please contact Dormont Technical Service. Dormont reserves the right to change or modify product design, construction, specifications, or materials without prior notice and without incurring any obligation to make such changes and modifications on Dormont products previously or subsequently sold. Refer to the owner's manual for warranty information.

## Configurations



Coated Steam Connectors with Double Shut-off Quick Disconnect



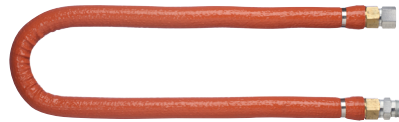
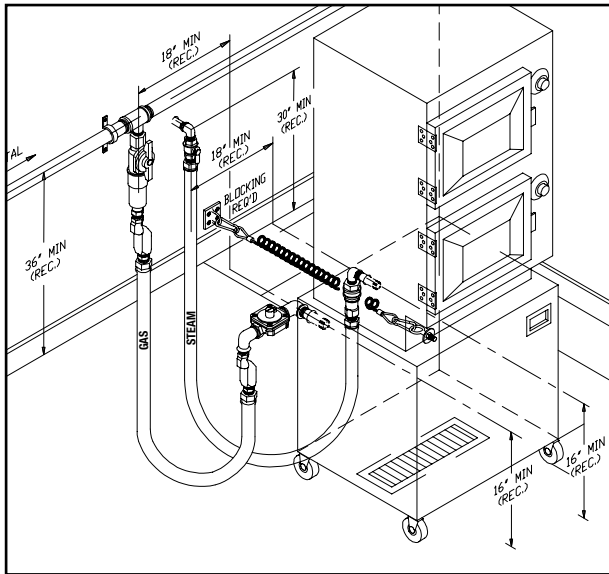
Coated Steam Connectors

Call customer service if you need assistance with technical details.

PRODUCT CONFIGURATION	STEAM CONNECTOR END FITTING THREADS	QUICK DISCONNECT THREADS	1/2" ID	3/4" ID	1" ID
Coated Steam Connectors with Double Shut-off Quick Disconnect	Male NPT x Male NPT	Female NPT	H50BIP2QXX	H75BIP2QXX	H100BIP2QXX
Coated Steam Connectors	Male NPT x Female NPT	N/A	H50BIPXX	H75BIPXX	H100BIPXX
Double Shut-off Quick Disconnect	N/A	Female NPT	LFW50QD	LFW75QD	LFW100QD

\* Where XX = Overall length in inches available in 24", 36", 48", 60", 72"

## Typical Installation



### Hi-PSI Flex Steam Connectors

Dormont LEAD FREE\* Hi-PSI Flex steam connectors provide long, trouble-free service life—and permit quick, safe connection of steam lines to moveable/castered and stationary foodservice equipment. Use with utility distribution systems, steam kettles, steam tables, combi-ovens and other foodservice equipment requiring steam input.



### Double Shut-off Quick Disconnect

Stainless Steel ISO 7241-1, Series B coupling and nipple both valved to prevent steam flow when disconnected.



**We guarantee our LEAD FREE\* Hi-PSI Flex Steam Connectors for 5 years from original installation.**

